

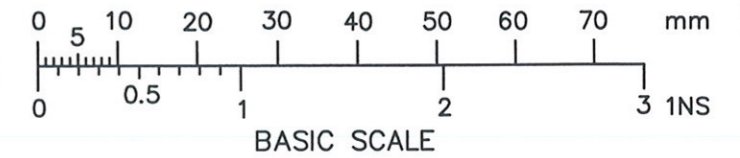
DRG No
BL/D9732

USED ON _____

THIRD ANGLE PROJECTION

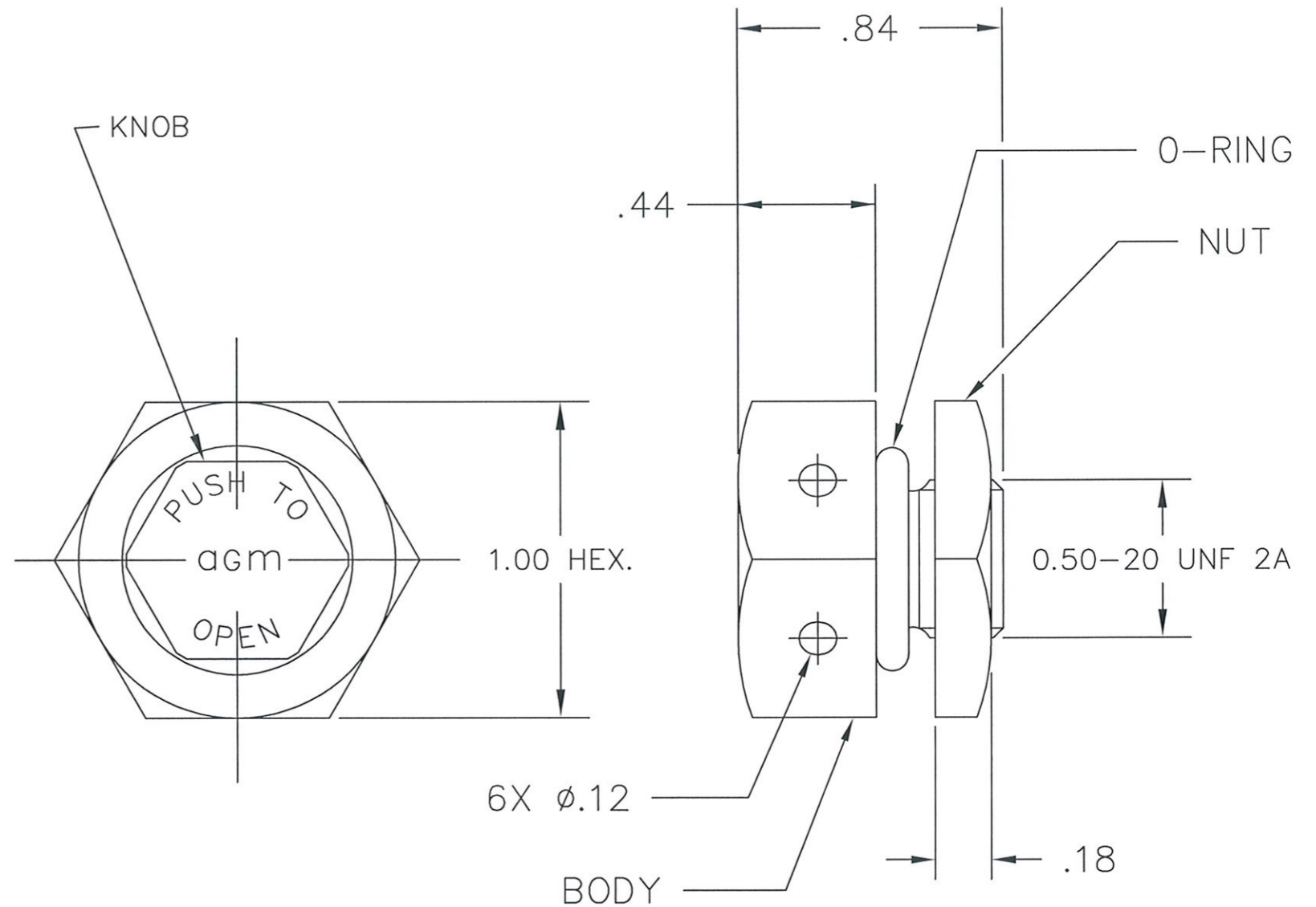
REMOVE ALL SHARP EDGES UNLESS SPECIFIED

DO NOT SCALE - ASK



NOTES UNLESS OTHERWISE SPECIFIED:

1. DESCRIPTION: MANUAL RELIEF VALVE. VALVE IS ACTUATED BY DEPRESSING KNOB INWARD BY HAND.
- 1.1 MANUAL RELIEF VALVE SHALL REMAIN CLOSED UNDER 6 PSID DIFFERENTIAL PRESSURE IN EITHER DIRECTION.
2. MATERIALS:
- 2.1 BODY, NUT, KNOB, AND STEM (NOT SHOWN): ALUMINUM ALLOYS.
- 2.2 O-RING: SAE-AS28775-112.
3. FINISHES:
- 3.1 BODY, NUT, AND STEM: ANODIZE IAW MIL-A-8625, TYPE II, CLASS 1.
- 3.2 KNOB: ANODIZE IAW MIL-A-8625, TYPE II, CLASS 2, BLACK.



THIS DRAWING IS THE PROPERTY OF BROWNELL LTD. AND MAY NOT BE COPIED OR REPRODUCED WITHOUT THEIR PRIOR WRITTEN PERMISSION

ORIGINAL		1	22-11-06
CHANGE	MOD No	ISSUE	DATE

MATERIAL	PROTECTIVE FINISH	TOLERANCES
EST. WT.		DIMENSIONS IN in/mm INS
		SURFACE ROUGHNESS
		SCALE (ORIGINAL) 2:1

BROWNELL Ltd. LONDON NW10 7XF	
TITLE	MANUAL RELIEF VALVE

RED DOT=ORIGINAL BLACK DOT=COPY	DRAWN PK	CHECKED
DRAWING NUMBER BL/D9732		