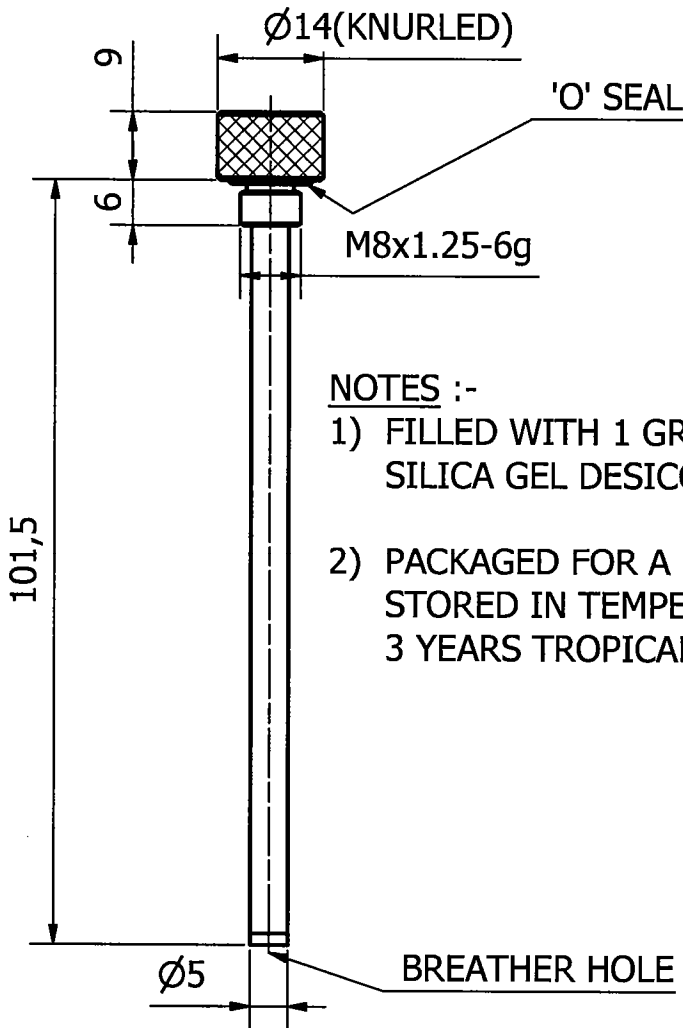
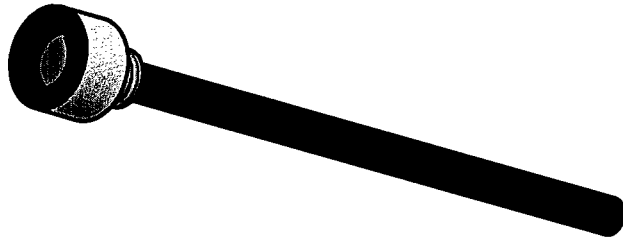


DRG No  
**BL/D9723 INST**  
 USED ON




THIRD ANGLE PROJECTION



**NOTES :-**

- 1) FILLED WITH 1 GRAM OF NON INDICATING SILICA GEL DESICCANT.
- 2) PACKAGED FOR A 5 YEAR SHELF LIFE WHEN STORED IN TEMPERATE CONDITIONS, OR 3 YEARS TROPICAL STORAGE.

THIS DESIGN IS THE PROPERTY OF BROWNELL LTD, AND MAY NOT BE COPIED OR REPRODUCED WITHOUT THEIR PRIOR WRITTEN PERMISSION

MATERIAL ALUMINIUM ALLOY	PROTECTIVE FINISH ANODISED & DYED BLACK				
EST. WT. -----	SURFACE ROUGHNESS	CHANGE	MOD No	ISSUE	DATE
DIMS IN MM	-----	TOLERANCES	0 = ±0.5 0.0 = ±0.25 0.00 = ±0.05		
SCALE 1:1	-----				
 RED DOT = ORIGINAL  BLACK DOT = COPY	<b>BROWNELL LTD</b> LONDON NW10 7XF		DRAWN PK	CHECKED 	
TITLE IMMERSION BREATHER DESICCATOR			DRAWING No. <b>BL/D9723 INST</b>		