

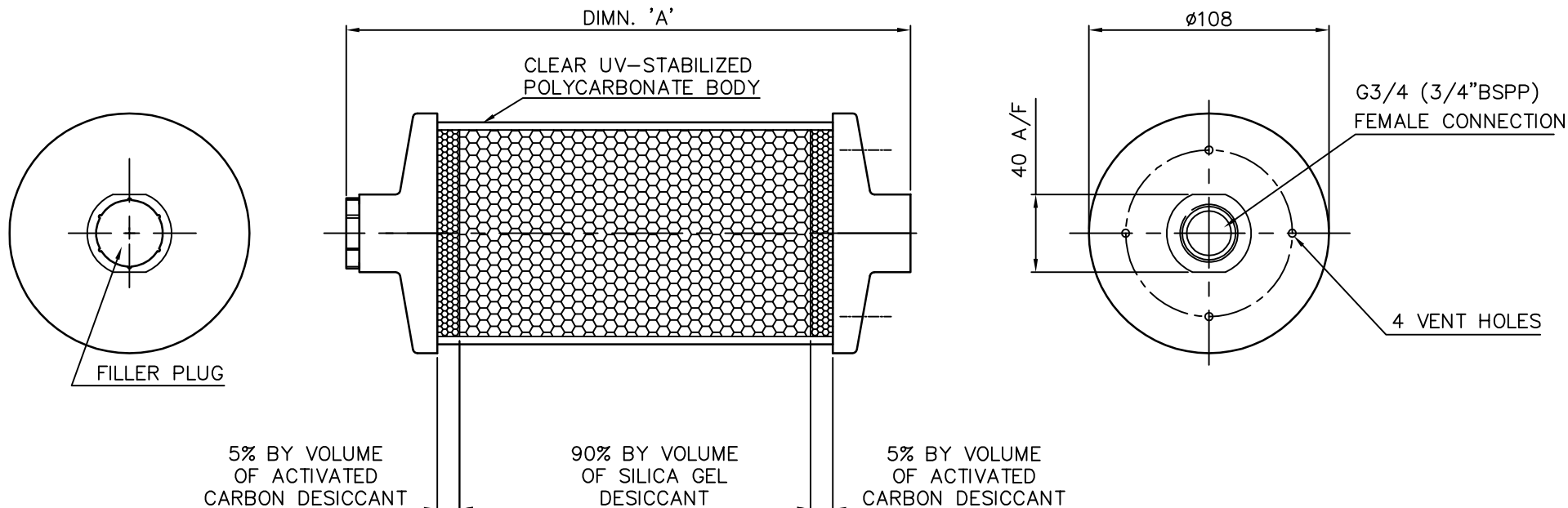
THIS DRAWING IS THE PROPERTY OF BROWNELL LTD. AND MAY NOT BE COPIED OR REPRODUCED WITHOUT THEIR PRIOR WRITTEN PERMISSION

DRG No  
BL/D9714/01-02 INST  
USED ON \_\_\_\_\_

REMOVE ALL SHARP EDGES UNLESS SPECIFIED

THIRD ANGLE PROJECTION

DO NOT SCALE - ASK



DRG. No.	DIMN. 'A'
BL/D9714/01	162
BL/D9714/02	254

NOTES :-

- 1) FILLED WITH : 10% ACTIVATED CARBON DESICCANT.(HALF AT TOP, HALF AT BOTTOM)  
: 90% INDICATING BEADED SILICA GEL DESICCANT.
- 2) DRY AIR OUTLET CLEANLINESS LEVEL : 25 MICRONS.

DIMENSION	6605	4	22/07/14
REDRAWN	6279	3	08-09-08
CHANGE	MOD No	ISSUE	DATE

MATERIAL POLYCARBONATE (UNLESS OTHERWISE STATED)	PROTECTIVE FINISH _____	TOLERANCES ±2	TITLE RESERVOIR VENT DRYER (SENTINEL)	DRAWN AF	CHECKED
		SURFACE TEXTURE _____			
EST. WT.	_____	DIMENSIONS IN in/mm mm	DRAWING NUMBER BL/D9714/01-02 INST		
		SCALE (ORIGINAL) 1:2			