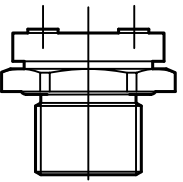
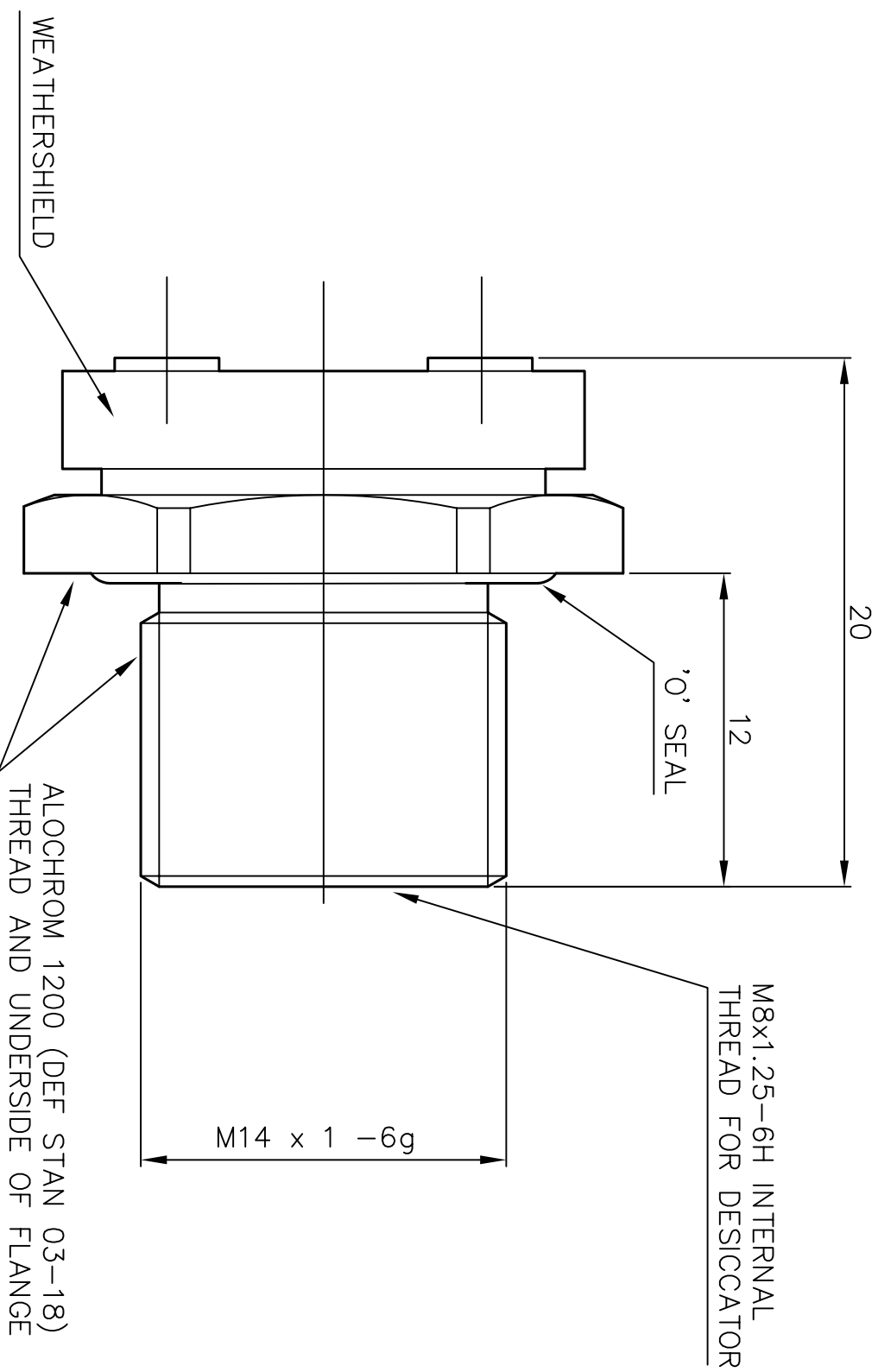
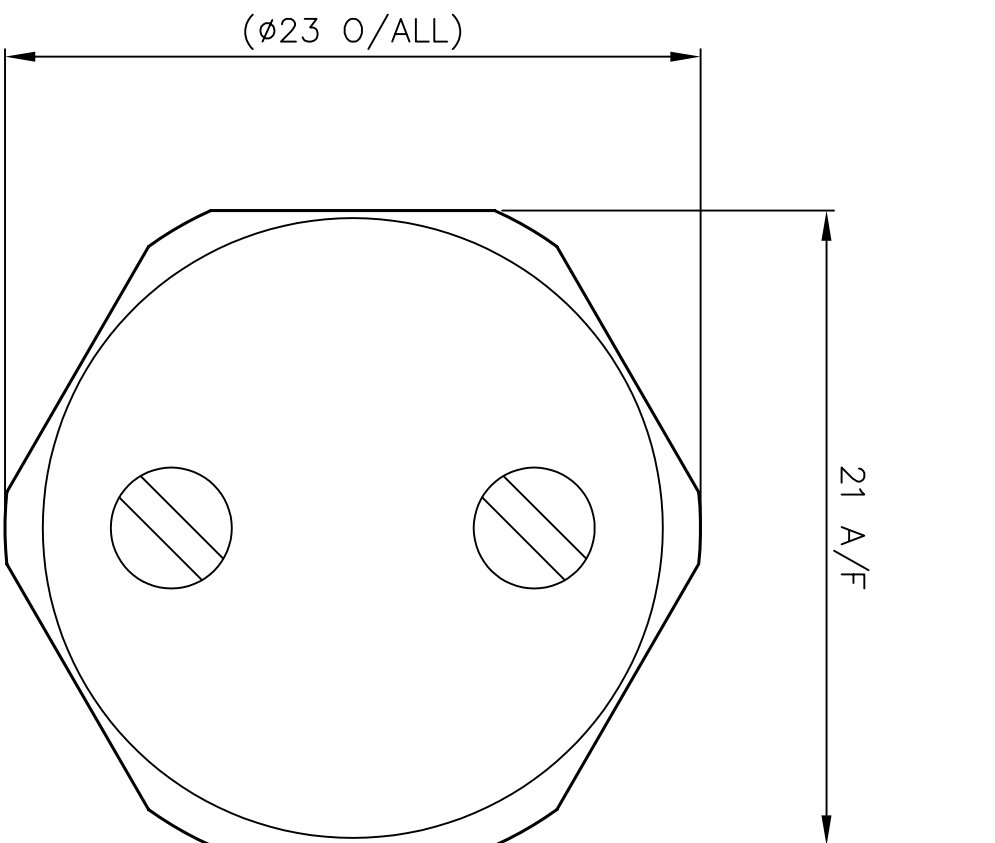
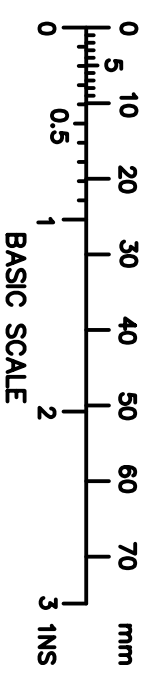


THIS DRAWING IS THE PROPERTY OF BROWNELL LTD, AND MAY NOT BE COPIED OR REPRODUCED WITHOUT THEIR PRIOR WRITTEN PERMISSION

DRG No  
**BL/D9629 INST**  
USED ON

THIRD ANGLE PROJECTION  
REMOVE ALL SHARP EDGES UNLESS SPECIFIED  
DO NOT SCALE - ASK



ACTUAL SIZE

NOTE: - MAXIMUM IMMERSION DEPTH IS 1 METRE

MATERIAL  
ALUMINIUM ALLOY  
6082-T6(HE.30.TF)  
OR 6262-T9

PROTECTIVE FINISH  
ANODISE TO  
DEF STAN 03-25  
& DYE BLACK  
ALOCHROM WHERE  
SHOWN

TOLERANCES

DIMENSIONS IN In/mm MM  
SURFACE ROUGHNESS  
SCALE (ORIGINAL) 4:1

**BROWNELL Ltd. LONDON NW10 7XF**

TITLE  
14mm DOUBLE DIFFERENTIAL  
RELIEF VALVE

DRAWING NUMBER  
**BL/D9629 INST**

RED DOT=ORIGINAL  
BLACK DOT=COPY

DRAWN PK  
CHECKED

| NOTE                               | ADDED  | 6212  | 6        | 23-10-06 |
|------------------------------------|--------|-------|----------|----------|
| REVISION X/F SIZE                  | 6208   | 5     | 18-09-06 |          |
| WAS 20(613/18)                     | 6182   | 4     | 01-02-06 |          |
| RESTORED TO ORIGINAL               | 6180   | 3     | 23-01-06 |          |
| CREATED NEW No.                    | 6133   | 2     | 04-01-05 |          |
| CONVERTED TO<br>IMMERSION BREATHER |        | 1     | 17-12-04 |          |
| 20 Ø/ALL WAS 16.5<br>12 DM WAS 11  |        |       |          |          |
| ORIGINAL                           |        |       |          |          |
| CHANGE                             | MOD No | ISSUE | DATE     |          |