

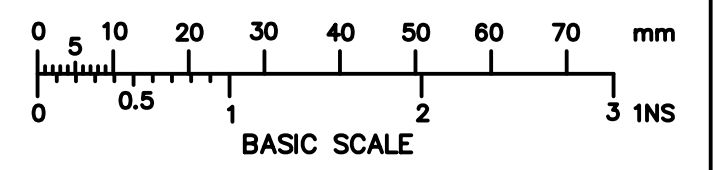
DRG No  
BL/D9600 INST

USED ON \_\_\_\_\_

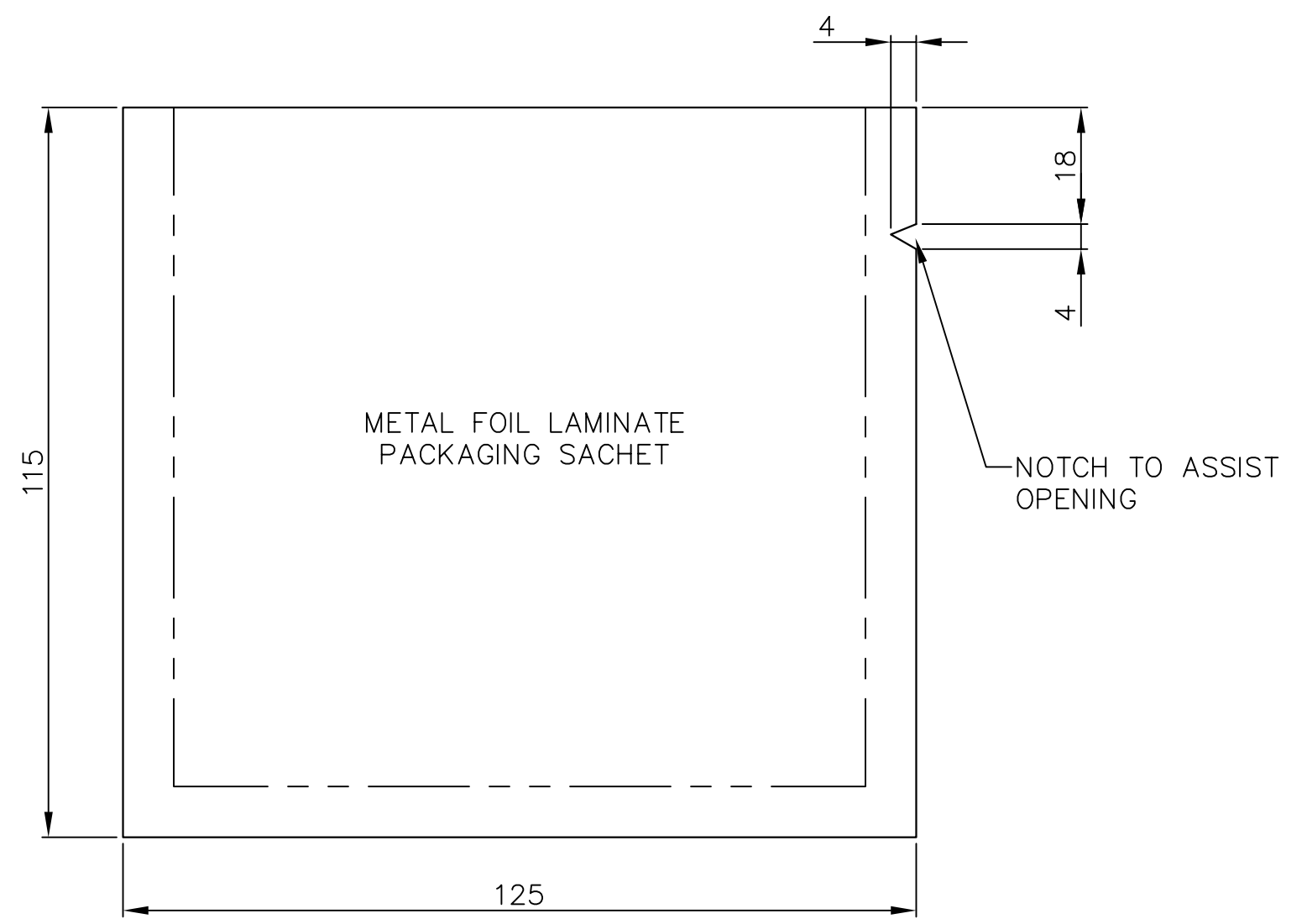
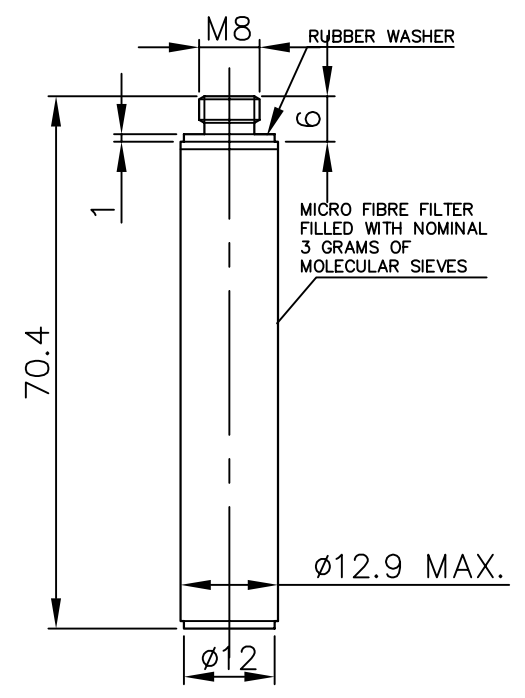
THIRD ANGLE PROJECTION

REMOVE ALL SHARP EDGES UNLESS SPECIFIED

DO NOT SCALE – ASK



THIS DRAWING IS THE PROPERTY OF BROWNELL LTD. AND MAY NOT BE COPIED OR REPRODUCED WITHOUT THEIR PRIOR WRITTEN PERMISSION




REDRAWN	6257	3	02-10-08
CHANGE	MOD No	ISSUE	DATE

MATERIAL	PROTECTIVE FINISH	TOLERANCES
EST. WT.	DIMENSIONS IN in/mm	mm
	SURFACE ROUGHNESS	—
	SCALE (ORIGINAL)	1:1

**BROWNELL Ltd. LONDON NW10 7XF**

TITLE **DESICCATOR**

● RED DOT=ORIGINAL	DRAWN	CHECKED
● BLACK DOT=COPY	PK	
DRAWING NUMBER		
BL/D9600 INST		