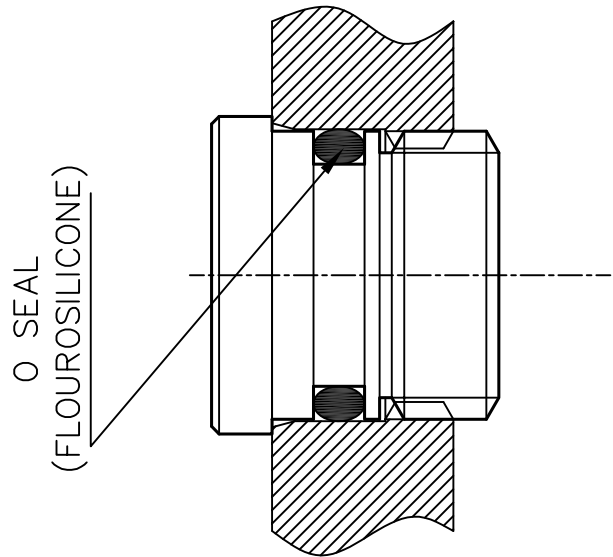
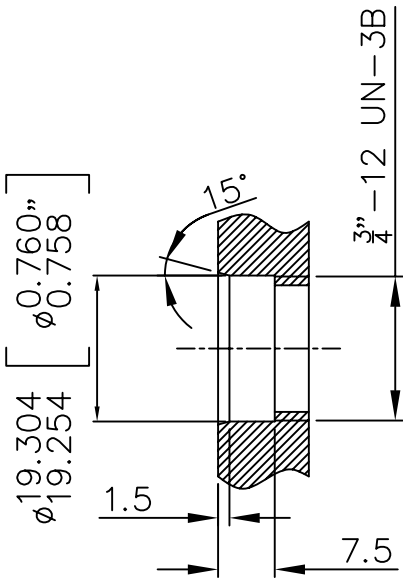
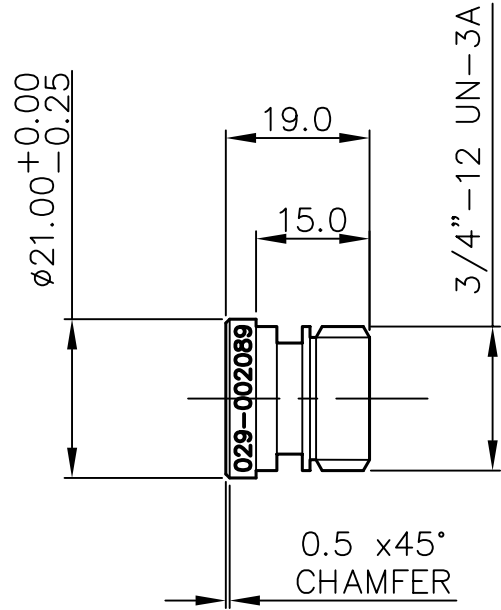
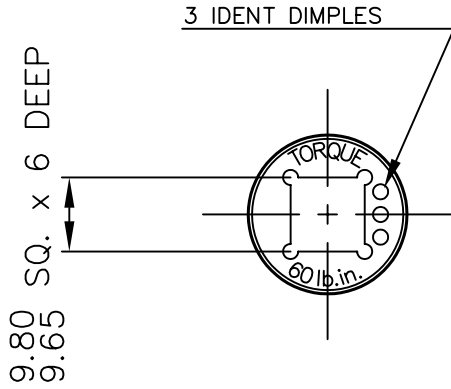


THIS DESIGN IS THE PROPERTY OF BROWNELL LTD, AND MAY NOT BE COPIED OR REPRODUCED WITHOUT THEIR PRIOR WRITTEN PERMISSION

DRG No
BL/D9401 INST
USED ON

THIRD ANGLE PROJECTION



MOUNTING HOLE DETAIL

SCALE 2:1

MATERIAL ALUMINIUM ALLOY	PROTECTIVE FINISH ANODISE & DYE BLACK				
		TORQUE SETTING WAS 10 lb.in.	6196	8	24-04-06
EST. WT. _____	SURFACE ROUGHNESS _____	REDRAWN	6154	7	09-06-05
DIMS IN MM _____	_____	CHANGE	MOD No	ISSUE	DATE
SCALE 1:1	_____	TOLERANCES ±0.2			
RED DOT = ORIGINAL BLACK DOT = COPY	BROWNELL LTD LONDON NW10 7XF		DRAWN PK	CHECKED	

TITLE DESICCATOR MOUNTING PLUG	DRAWING No. BL/D9401 INST.
--------------------------------------	-------------------------------