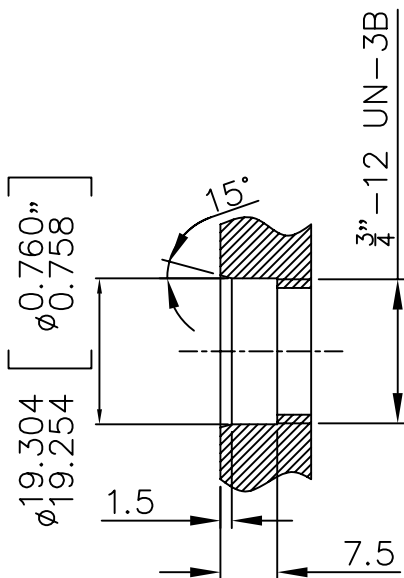
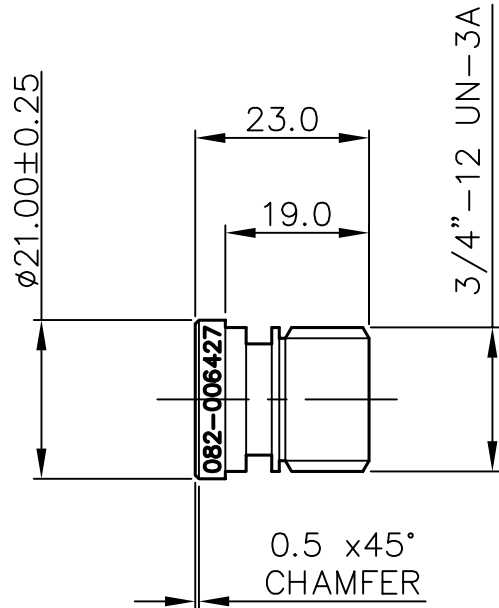
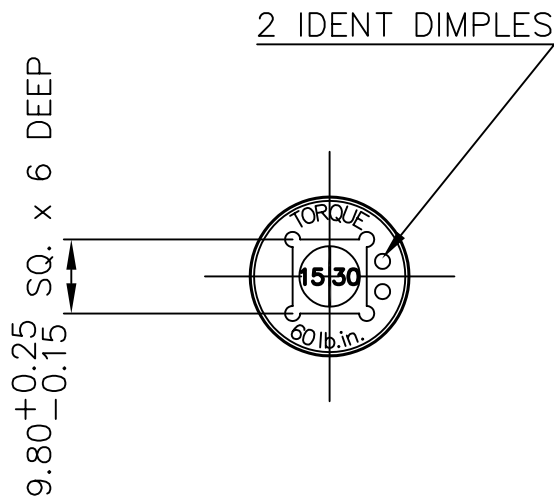


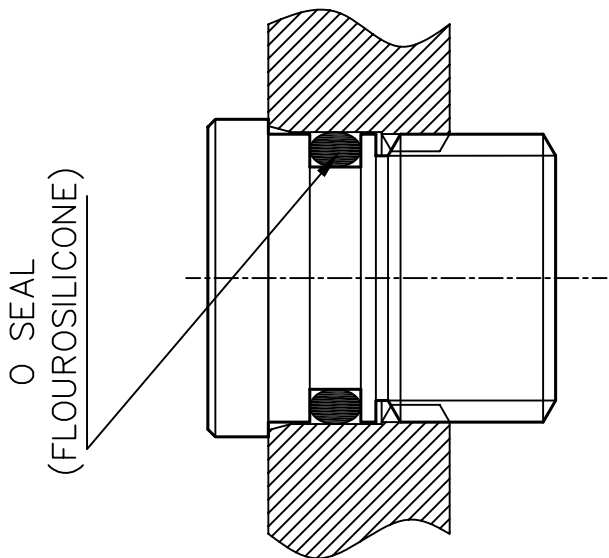
DRG No  
BL/D9398 INST  
USED ON

THIRD ANGLE PROJECTION

THIS DESIGN IS THE PROPERTY OF BROWNELL LTD, AND MAY NOT BE COPIED OR REPRODUCED WITHOUT THEIR PRIOR WRITTEN PERMISSION



MOUNTING HOLE DETAIL



SCALE 2:1

MATERIAL ALUMINIUM ALLOY	PROTECTIVE FINISH ANODISE & DYE BLUE				
EST. WT. _____	SURFACE ROUGHNESS _____	TORQUE SETTING WAS 10 lb.in.	6196	8	24-04-06
DIMS IN MM _____	TOLERANCES _____	REDRAWN	6154	7	09-06-05
SCALE 1:1		CHANGE	MOD No	ISSUE	DATE
			±0.2		
RED DOT = ORIGINAL BLACK DOT = COPY	<b>BROWNELL LTD</b> LONDON NW10 7XF		DRAWN PK	CHECKED	

TITLE HUMIDITY INDICATOR PLUG	DRAWING No. BL/D9398 INST.
-------------------------------------	-------------------------------