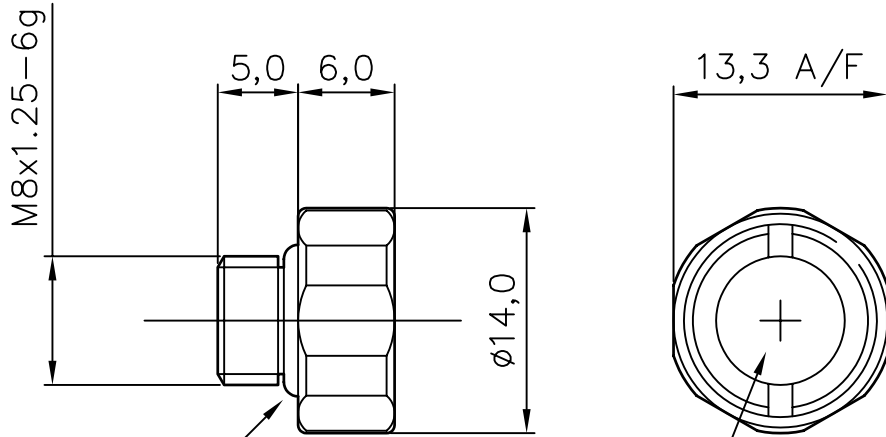


DRG No
BL/D9382/01-02 INST
USED ON

THIRD ANGLE PROJECTION





FLOUROSILICONE 'O' SEAL
MIL-R-25988
TYPE II, CLASS I, GRADE 60

SPLIT LEVEL INDICATOR
SEE TABLE

DRAWING No.	INDICATOR LEVELS AT 25°C	NSN No.
BL/D9382/01	15 & 30% RH	6685-99-337-1529
BL/D9382/02	30 & 50% RH	N/A

NOTES

1. CONFORMS TO DEF STAN 66-44 WHERE APPLICABLE.
2. INDICATOR PRESSURE TESTED AT 14 PSI.
3. R.F. ATTENUATION.

MATERIAL STAINLESS STEEL BS970 316S16	PROTECTIVE FINISH PAINT NATO GREEN	NSN No. ADDED	6285	2	14-10-08
		ORIGINAL		1	06-08-03
EST. WT. _____	SURFACE ROUGHNESS _____	CHANGE	MOD No	ISSUE	DATE
DIMS IN MM	_____	TOLERANCES ±0.5			
SCALE 2:1	_____				
 RED DOT = ORIGINAL  BLACK DOT = COPY	BROWNELL LTD LONDON NW10 7XF			DRAWN	CHECKED
				PK	
TITLE R.F. SCREENED HUMIDITY INDICATOR			DRAWING No. BL/D9382/01-02 INST		

THIS DESIGN IS THE PROPERTY OF BROWNELL LTD, AND MAY NOT BE COPIED OR REPRODUCED WITHOUT THEIR PRIOR WRITTEN PERMISSION