

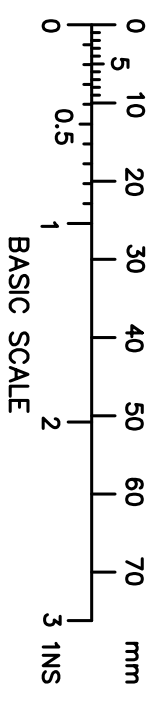
DRG No  
BL/D9292 INST

USED ON \_\_\_\_\_

THIRD ANGLE PROJECTION

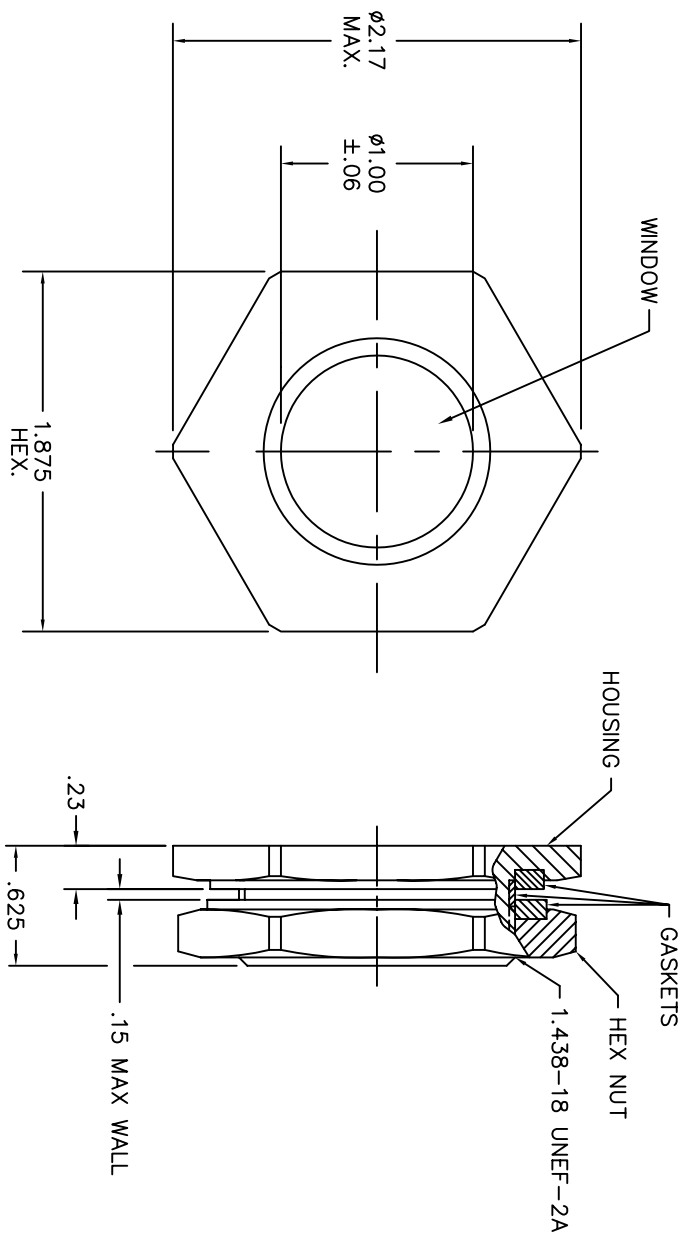
REMOVE ALL SHARP EDGES UNLESS SPECIFIED

DO NOT SCALE -- ASK



NOTES UNLESS OTHERWISE SPECIFIED

1. THIS UNIT MAY BE MOUNTED IN EITHER FLEXIBLE OR RIGID MATERIAL WITH A MAXIMUM THICKNESS OF .15". RECOMMENDED MOUNTING HOLE SIZE IS  $\phi 1.45$ .
2. MATERIALS AND FINISH:
  - 2.1 HOUSING AND HEX NUT: ALUMINUM ALLOYS.
  - 2.2 FINISH: ALL ALUMINUM ALLOYS ANODIZED IAW MIL-A-8625, TYPE II, CLASS 1.
  - 2.3 GASKETS: IAW MIL-R-6855, CLASS II, GRADE 60.
  - 2.4 WINDOW: PLEXIGLAS IAW MIL-P-5425.



MATERIAL	PROTECTIVE FINISH	TOLERANCES	TITLE
_____	_____	_____	<b>BROWNELL Ltd. LONDON NW10 7XF</b>
DIMENSIONS IN in/mm	INS		
SURFACE ROUGHNESS	_____		
SCALE (ORIGINAL)	1:2		

EST. WT.	_____
----------	-------

DRAWING NUMBER		DRAWN		CHECKED	
BL/D9292 INST		PK			

ORIGINAL	MOD No	1	ISSUE	DATE
CHANGE				22-11-06

THIS DRAWING IS THE PROPERTY OF BROWNELL LTD, AND MAY NOT BE COPIED OR REPRODUCED WITHOUT THEIR PRIOR WRITTEN PERMISSION