

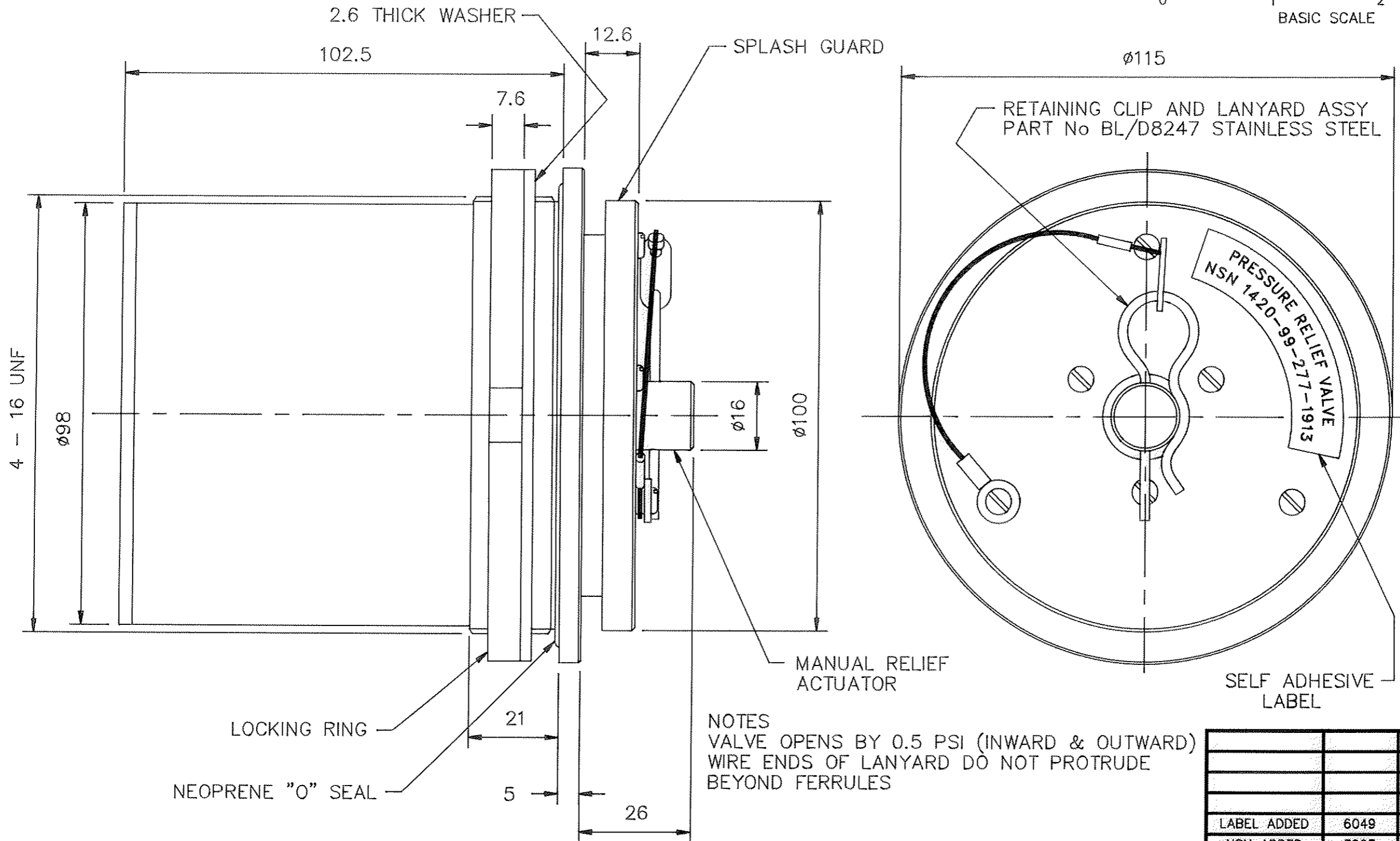
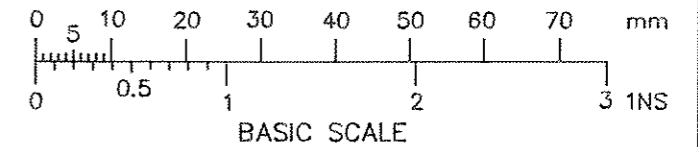
DRG No
BL/D9156 INST

USED ON

THIRD ANGLE PROJECTION

REMOVE ALL SHARP EDGES UNLESS SPECIFIED

DO NOT SCALE - ASK



NOTES
VALVE OPENS BY 0.5 PSI (INWARD & OUTWARD)
WIRE ENDS OF LANYARD DO NOT PROTRUDE
BEYOND FERRULES

LABEL ADDED	6049	3	26/6/03
NSN ADDED	5993	2	7/10/02
		1	18/4/02
CHANGE	MOD No	ISSUE	DATE

CUSTOMER'S REF	DRAWN	CHECKED
	PGD	
DRAWING NUMBER		
BL/D9156 INST		

MATERIAL	PROTECTIVE FINISH	TOLERANCES	CUSTOMER
ALUMINIUM ALLOY	ANODISED BLACK	± 0.5	BROWNELL Ltd. LONDON NW10
EST. WT.		DIMENSIONS IN in/mm	TITLE
		mm	1420-99-277-1913
		SURFACE ROUGHNESS	DOUBLE DIFFERENTIAL RELIEF VALVE
		SCALE (ORIGINAL)	
		1:1	