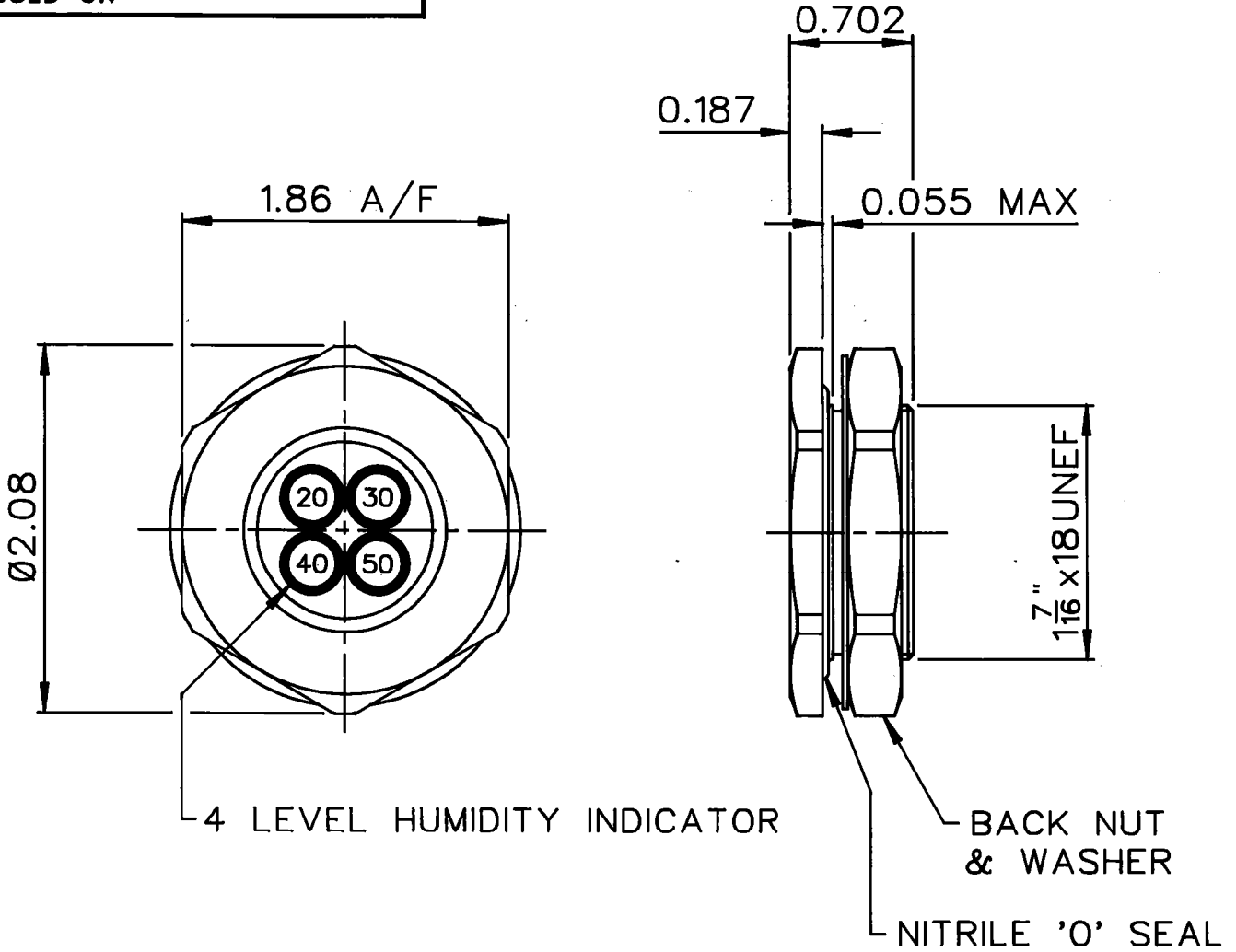


THIS DESIGN IS THE PROPERTY OF BROWNELL LTD AND MAY NOT BE COPIED OR REPRODUCED WITHOUT THEIR PRIOR WRITTEN PERMISSION

DRG No
BL/D 9049 INST

USED ON

THIRD ANGLE
PROJECTION



NOTE: BACK NUT, WASHER & THREAD ARE ALOCHROMED FOR R.F. SCREENING CONTINUITY.

MATERIAL	PROTECTIVE FINISH				
ALUM ALLOY	ANODISED BLACK (UNLESS OTHERWISE STATED)				
EST. WT. —				A	25/7/01
DIMNS IN INS	SURFACE ROUGHNESS	TOLERANCES	CHANGE	MOD No	ISSUE DATE
SCALE 1 : 1	—	±0.015			
BROWNELL LIMITED LONDON NW10				DRAWN LJ	CHKD
SUB CONT.		SUB CONT. DRG REF.			
TITLE INDICATOR HUMIDITY PLUG (R.F. SCREENED)		DRAWING No BL/D 9049 INST			