

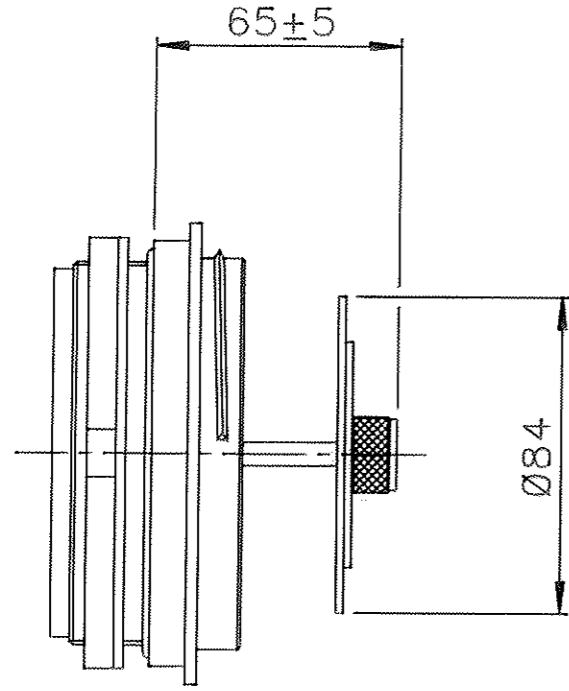
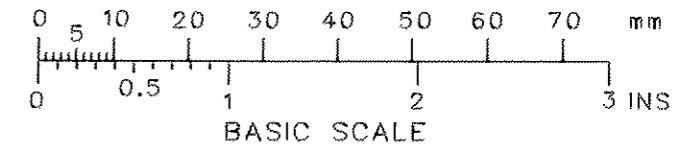
THIS DESIGN IS THE PROPERTY OF BROWNELL LTD
AND MAY NOT BE COPIED OR REPRODUCED
WITHOUT THEIR PRIOR WRITTEN PERMISSION

DRG No
BL/D 9021 INST
USED ON

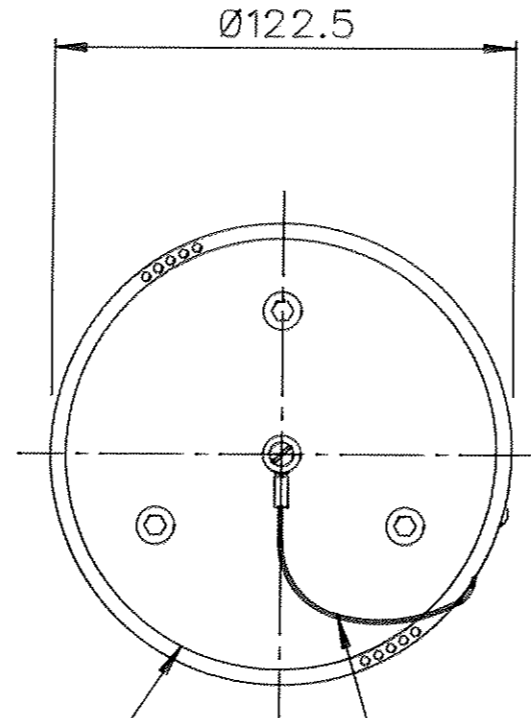
THIRD ANGLE PROJECTION

REMOVE ALL SHARP EDGES UNLESS SPECIFIED

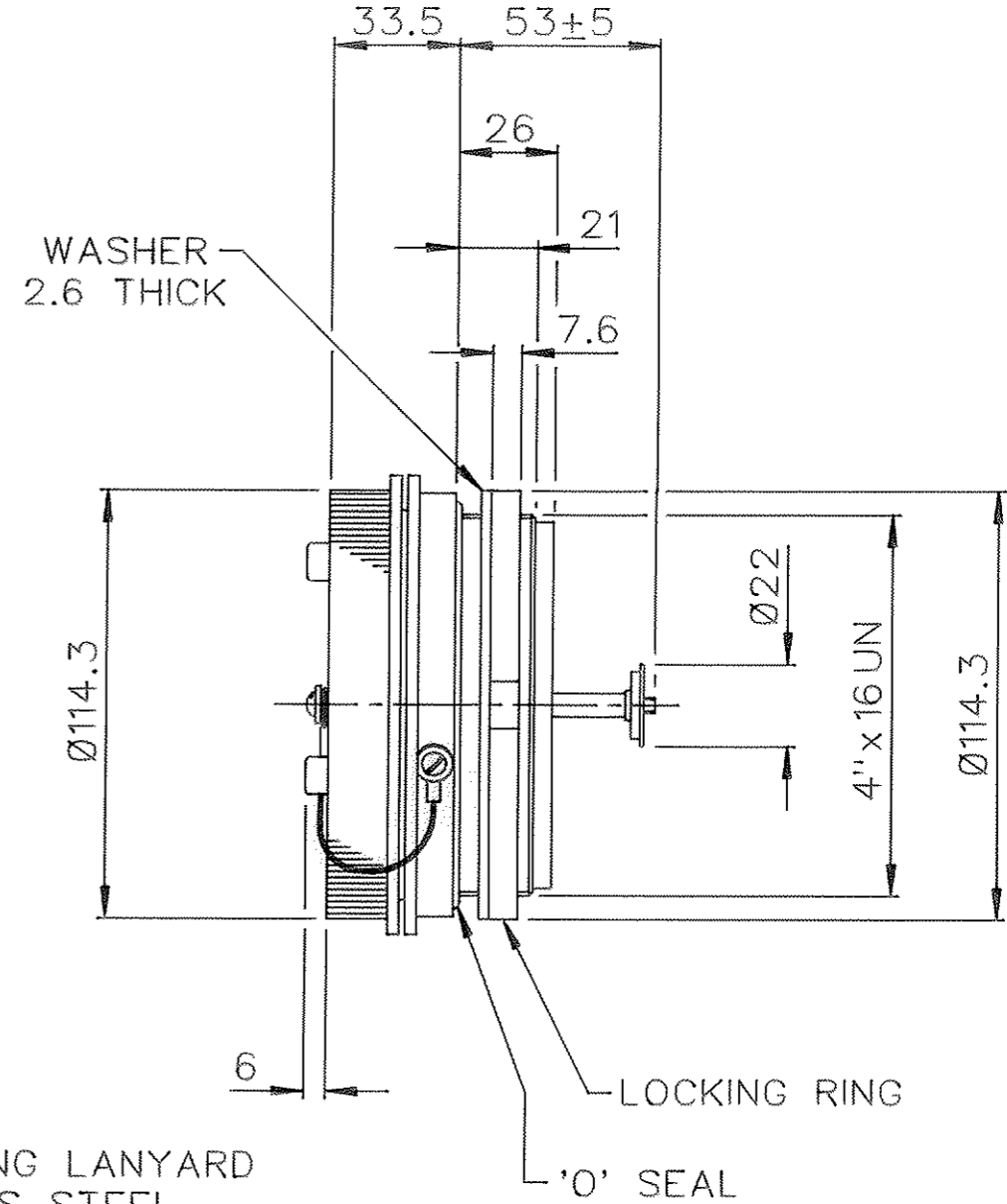
DO NOT SCALE - ASK



VIEW WITH CAP REMOVED & VALVE
POPPET IN THE OPEN POSITION



CAP RETAINING LANYARD
STAINLESS STEEL
REMOVE CAP TO MANUALLY
OPEN VALVE POPPET



NOTE: EXTERNAL FACE OF VALVE POPPET &
INTERNAL FACE OF CAP ARE PAINTED RED.

		A	11/6/01
CHANGE	MOD No	ISSUE	DATE

MATERIAL	PROTECTIVE FINISH	TOLERANCES UNLESS STATED	±1.0	BROWNELL LIMITED LONDON NW10	CUSTOMER REF.	DRAWN	CHECKED
ALUMINIUM ALLOY	ANODISED BLACK SEE NOTE			TITLE		LJ	
EST. WT.		DIMNS IN INS /mm (THR'D INS)		HAND OPERATED RELIEF VALVE WITH CAP	DRAWING No		
		SCALE (ORIGINAL)	1 : 2		BL/D 9021 INST		