

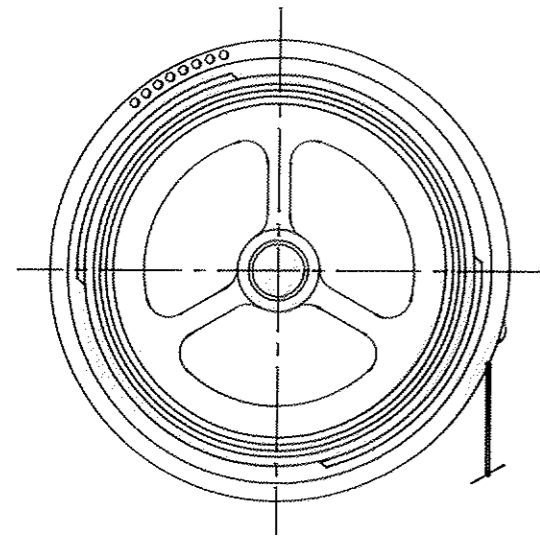
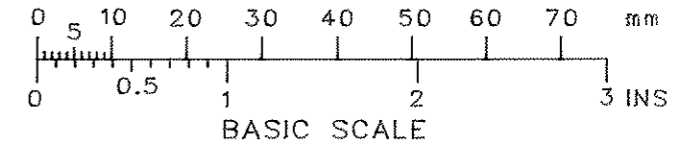
THIS DESIGN IS THE PROPERTY OF BROWNELL LTD
AND MAY NOT BE COPIED OR REPRODUCED
WITHOUT THEIR PRIOR WRITTEN PERMISSION

DRG No
BL/D 8840 INST
USED ON BL/D 8842

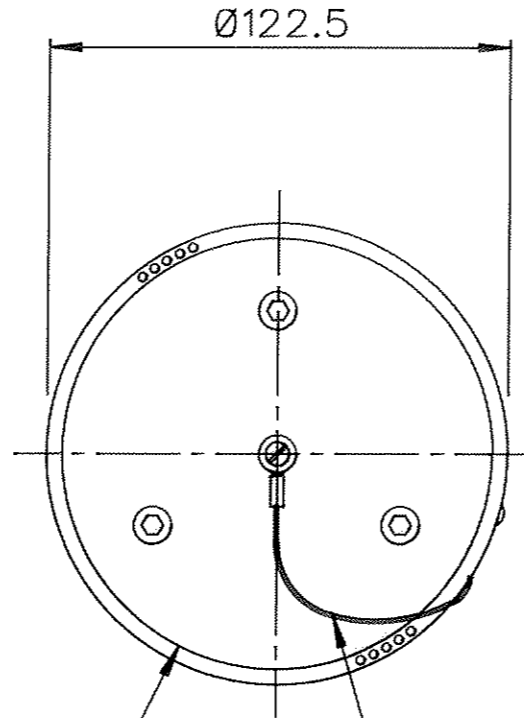
THIRD ANGLE PROJECTION

REMOVE ALL SHARP EDGES UNLESS SPECIFIED

DO NOT SCALE - ASK

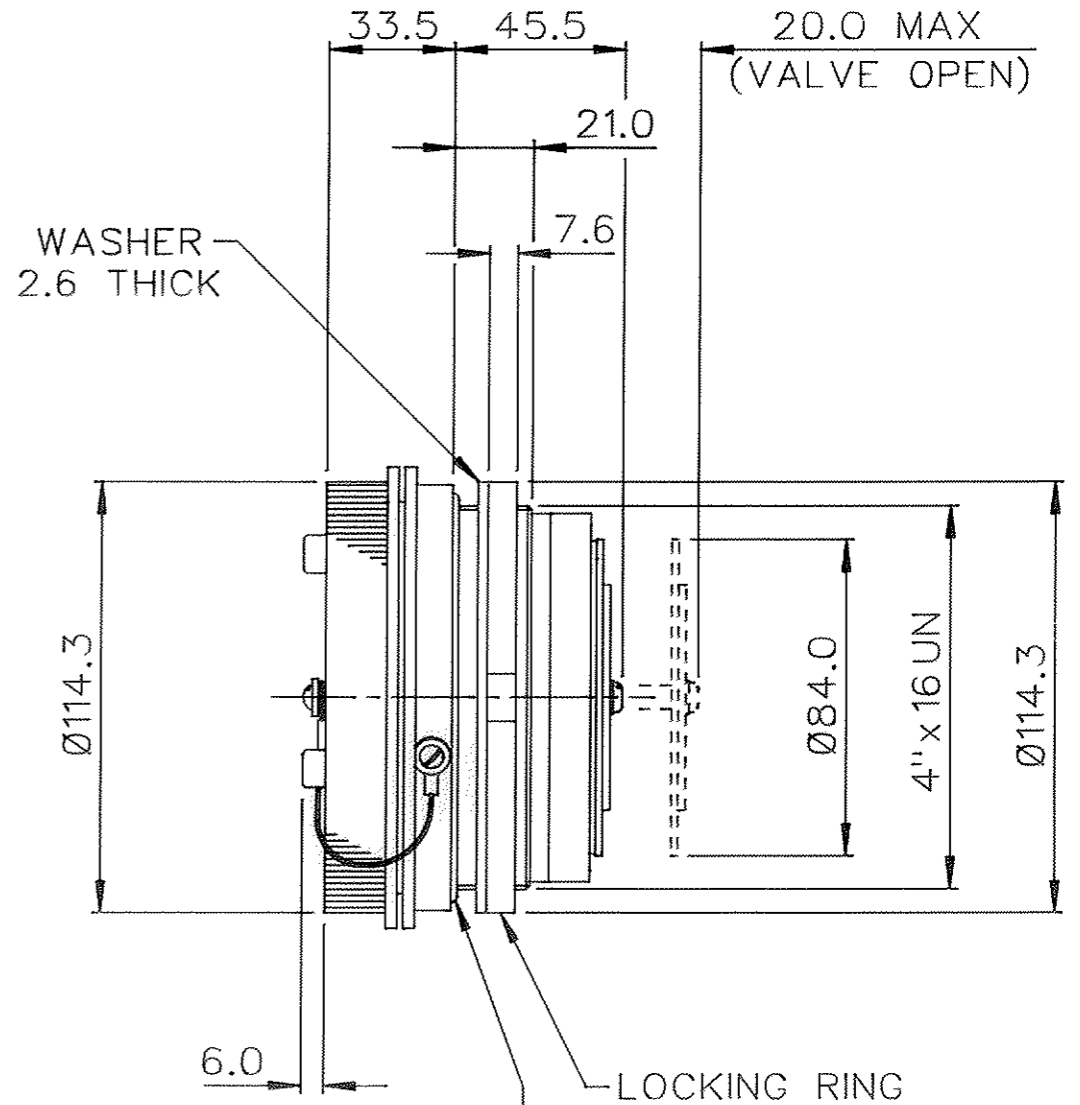


VIEW WITH CAP REMOVED



REMOVE CAP TO CONNECT
VALVE COUPLING

CAP RETAINING LANYARD
STAINLESS STEEL



		A	16/11/00
CHANGE	MOD No	ISSUE	DATE

MATERIAL ALUMINIUM ALLOY	PROTECTIVE FINISH ANODISED BLACK	TOLERANCES UNLESS STATED ±1.5	BROWNELL LIMITED LONDON NW10	CUSTOMER REF.	DRAWN LJ	CHECKED [Signature]
EST. WT. —		DIMNS IN INS /mm (THR'D INS) SCALE (ORIGINAL) 1 : 2	TITLE SELF SEALING VALVE	DRAWING No BL/D 8840 INST		