

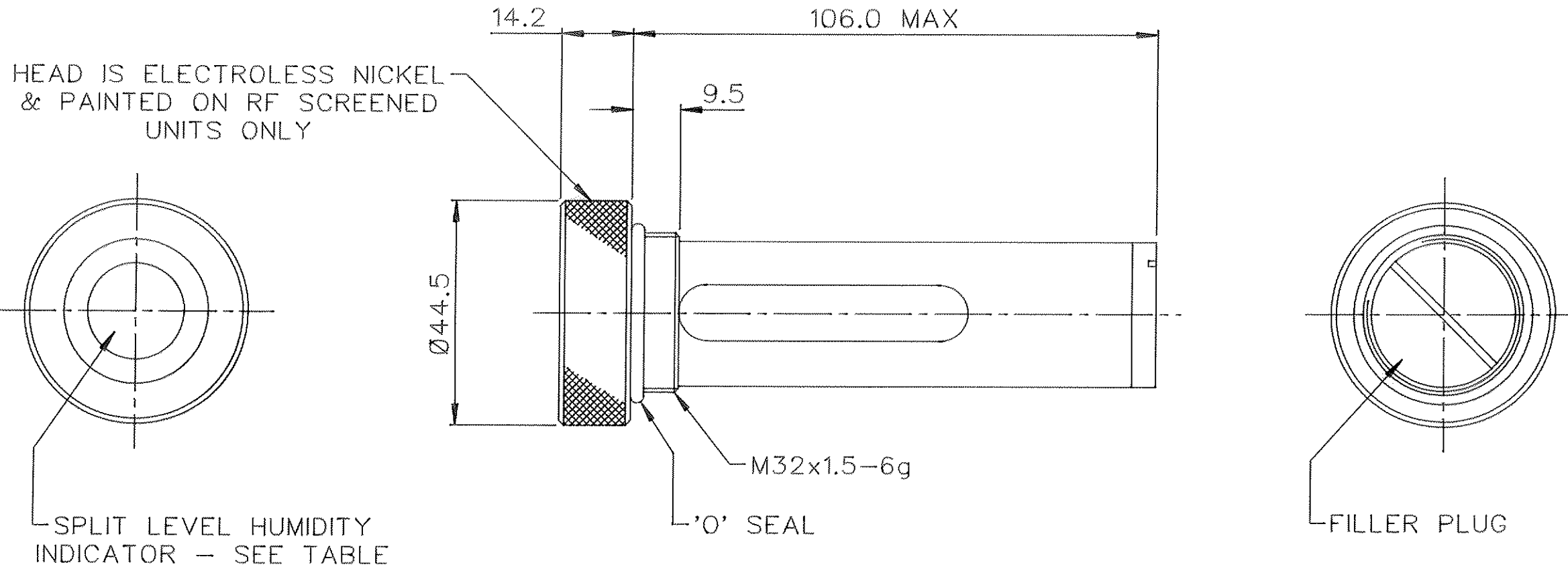
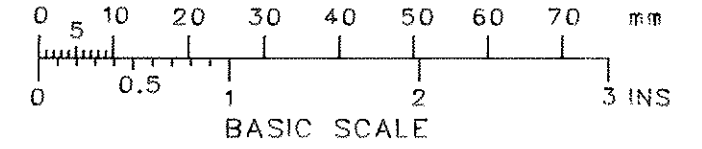
THIS DESIGN IS THE PROPERTY OF BROWNELL LTD  
AND MAY NOT BE COPIED OR REPRODUCED  
WITHOUT THEIR PRIOR WRITTEN PERMISSION

DRG No  
BL/D 8743/01-04 INST  
USED ON

THIRD ANGLE PROJECTION

REMOVE ALL SHARP EDGES UNLESS SPECIFIED

DO NOT SCALE - ASK



DRG No	DESICCANT	NOMINAL CONTENTS	INDICATOR LEVELS	RF SCREENED
BL/D8743/01	BEADED SILICA GEL	40 GRMS	30 & 50% RH	NO
BL/D8743/02	MOLECULAR SIEVES	40 GRMS	15 & 30% RH	NO
BL/D8743/03	BEADED SILICA GEL	40 GRMS	30 & 50% RH	YES
BL/D8743/04	MOLECULAR SIEVES	40 GRMS	15 & 30% RH	YES

NOTES

1. RF SCREENED UNITS - MOUNTING THREAD IS ELECTROLESS NICKEL FOR RF SCREENING CONTINUITY.
2. PACKAGED FOR A SHELF LIFE OF 5 YEARS.

		A	10/4/00
CHANGE	MOD No	ISSUE	DATE

MATERIAL ALUM ALLOY	PROTECTIVE TREATMENT ANODISED (UNLESS OTHERWISE STATED)	TOLERANCES UNLESS STATED ±0.8	BROWNELL LIMITED LONDON NW10	CUSTOMER REF.	DRAWN LJ	CHECKED [Signature]
EST. WT. —		DIMNS IN <del>INS</del> /mm SCALE (ORIGINAL) 1 : 1	TITLE DESICCANT CONTAINER DEHUMIDIFIER PANEL MOUNTING	DRAWING No BL/D 8743/01-04 INST		