

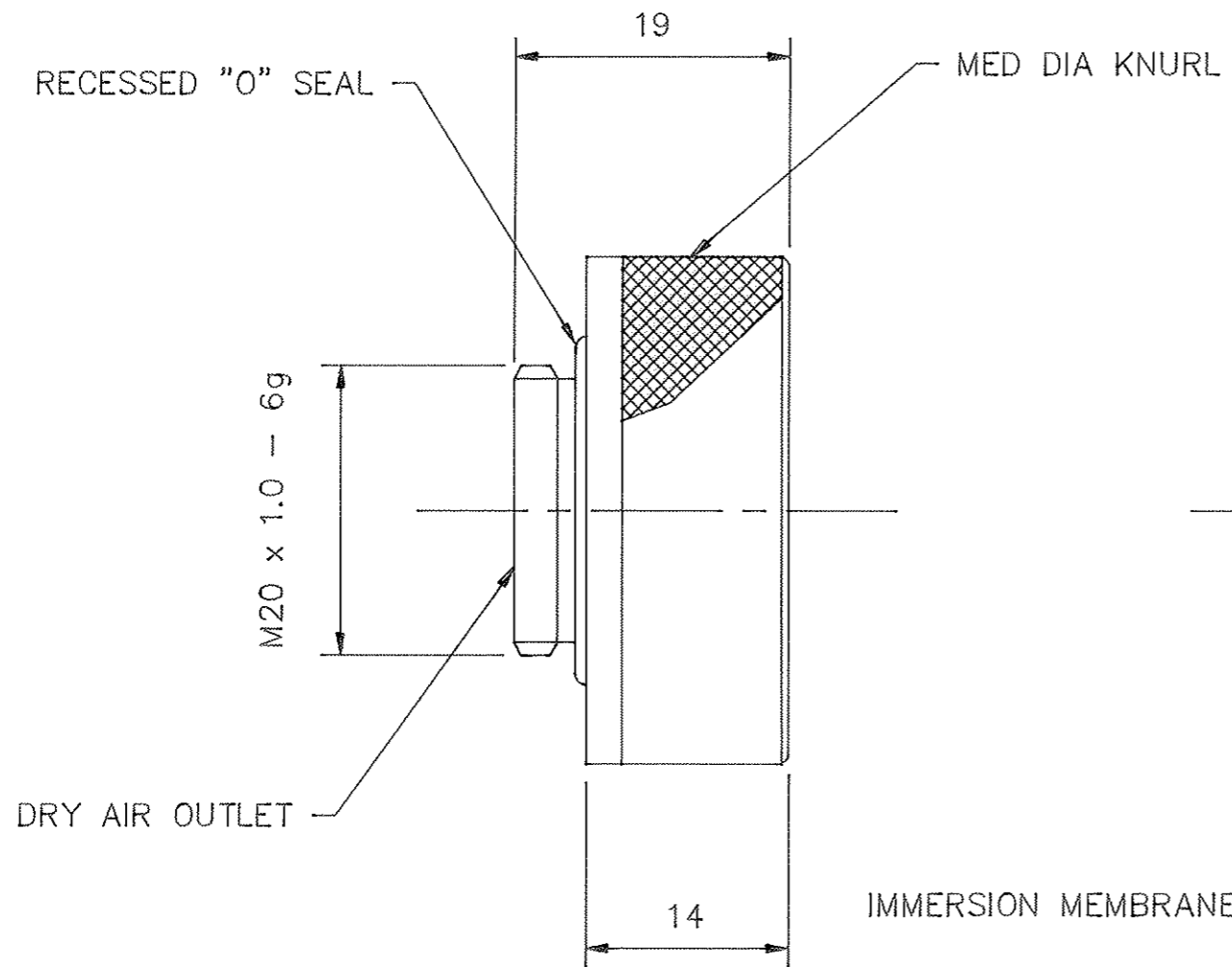
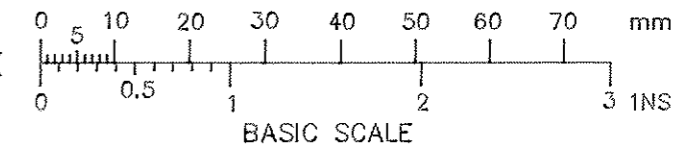
DRG No
BL/D8605/01-02 INST

USED ON

THIRD ANGLE PROJECTION

REMOVE ALL SHARP EDGES UNLESS SPECIFIED

DO NOT SCALE - ASK



PIN SPANNER HOLES
USE PIN SPANNER
BL/D7267 FOR
INSERTION/EXTRACTION

DESICCANT: BEADED SILICA GEL TO
BS7554 1-3MM DIA BEADS

CONTENT: 2 GRAMS APPROX

CONFORMS TO DEF STAN 44-2
WHERE APPLICABLE

FLOWRATE 100cc/min @ 0.3 bar (MAX)

WATER BREAKTHROUGH PRESSURE: 4
PSIG (MIN)

PACKAGED FOR A SHELF LIFE OF 5
YEARS UNDER TEMPERATE CONDITIONS

BREATHER TUBE RATIO 40:1

BL/D8605/01 STD UNIT THREAD FINISH ANODISED DYED BLACK
BL/D8605/02 RF SCREENED UNIT THREAD FINISH ALOCHROMED

19 WAS 22.14 WAS 17	5765	7	23/2/01
TUBE NOTE ADDED	5708	6	12/10/00
BREAKTHROUGH ADDED	5662	5	19/5/00
PIN SPANNER HOLES	5590	4	20/1/00
RF SCREEN ADDED	5589	3	19/1/00
FLOWRATE ADDED	5580	2	31/12/99
ORIGINAL	ORIGINAL	1	26/12/99
CHANGE	MOD No	ISSUE	DATE

MATERIAL ALUMINIUM ALLOY	PROTECTIVE FINISH ANODISE AND DYE BLACK (SEE NOTE RE THREAD)	TOLERANCES	±0.5		CONTRACTOR BROWNELL Ltd. LONDON NW10	CUSTOMER'S REF	DRAWN PGD	CHECKED
		DIMENSIONS IN	in/mm	mm				
EST. WT.		SURFACE ROUGHNESS						
		SCALE (ORIGINAL)	2:1					