

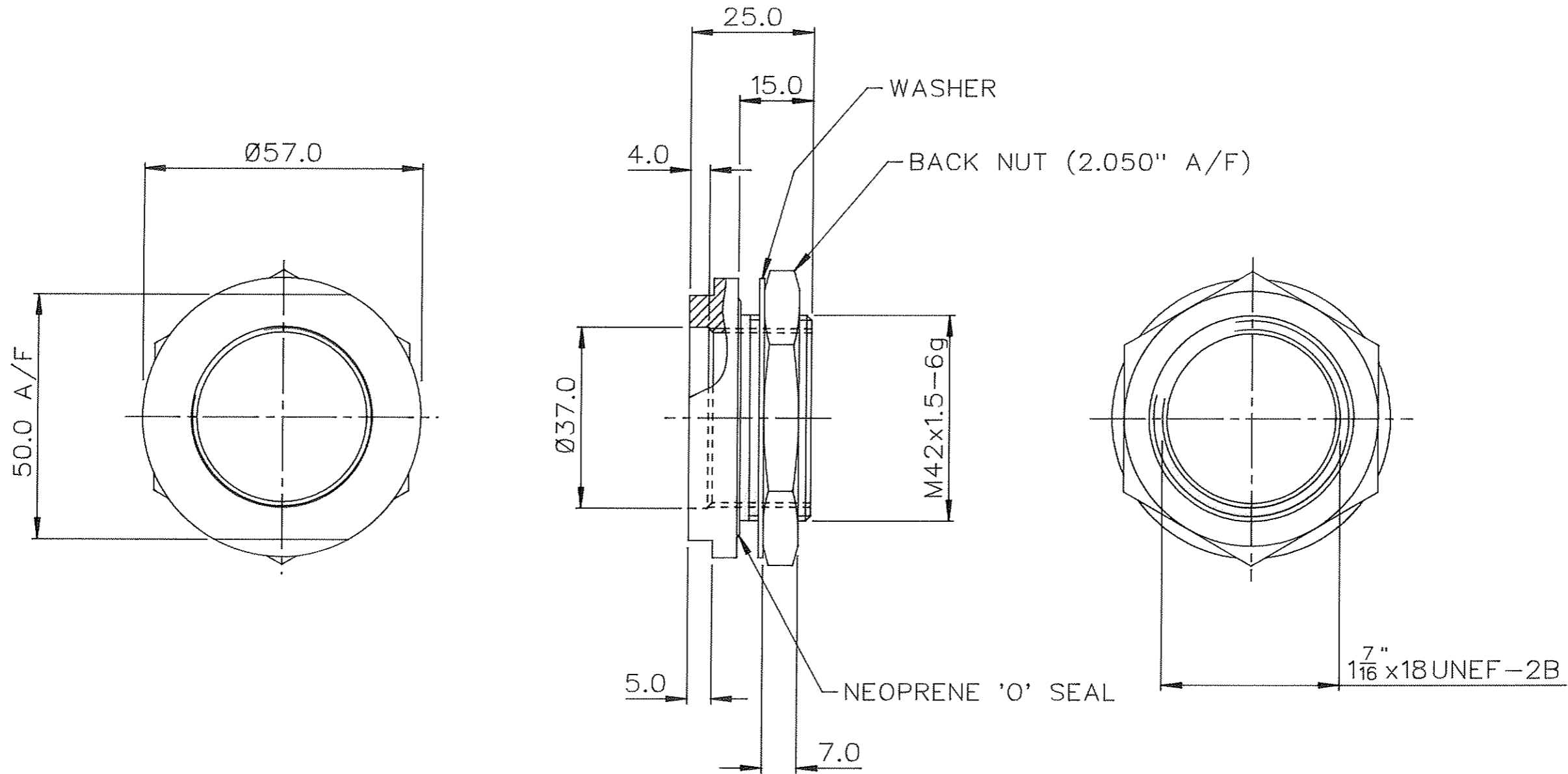
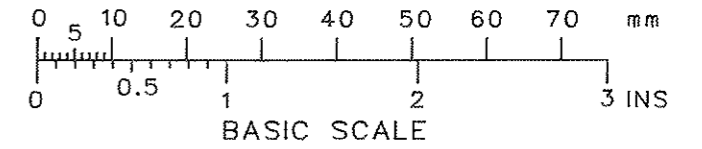
THIS DESIGN IS THE PROPERTY OF BROWNELL LTD
AND MAY NOT BE COPIED OR REPRODUCED
WITHOUT THEIR PRIOR WRITTEN PERMISSION

DRG No
BL/D 8210 INST
USED ON

THIRD ANGLE PROJECTION

REMOVE ALL SHARP EDGES UNLESS SPECIFIED

DO NOT SCALE - ASK



NSN MARKING DELETED	6045	C	27/5/03
MARKING - WORDING 'PANEL BUSH' DELETED	5554	B	24/11/99
		A	19/4/99
CHANGE	MOD No	ISSUE	DATE

MATERIAL	PROTECTIVE TREATMENT	TOLERANCES UNLESS STATED	± 0.5	BROWNELL LIMITED LONDON NW10	CUSTOMER REF.	DRAWN	CHECKED
ALUM ALLOY	ANODISED BLACK			TITLE		LJ	
EST. WT.		DIMNS IN INS /mm (THR'D INS)		PANEL BUSH	DRAWING No		
		SCALE (ORIGINAL)	1 : 1		BL/D 8210 INST		