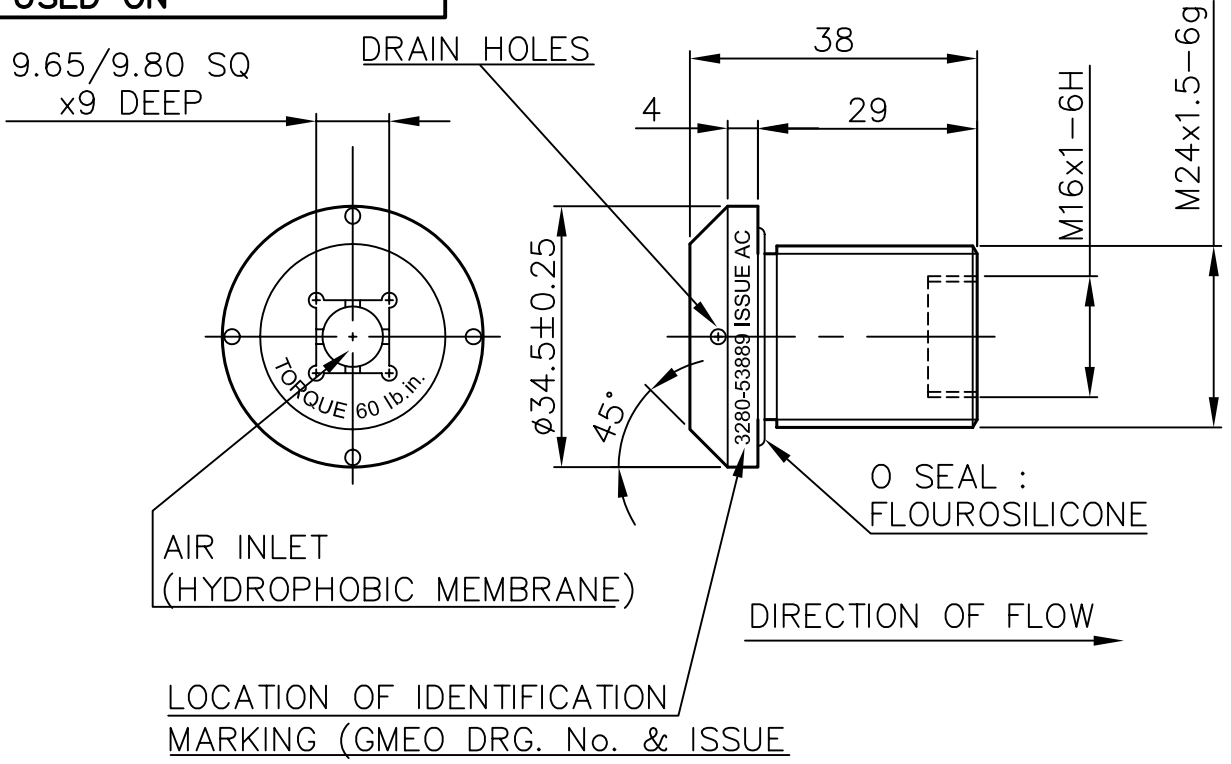


DRG No
BL/D7725 INST
USED ON _____

THIRD ANGLE PROJECTION



THIS DESIGN IS THE PROPERTY OF BROWNELL LTD, AND MAY NOT BE COPIED OR REPRODUCED WITHOUT THEIR PRIOR WRITTEN PERMISSION

NOTES :-

- 1) OPENING PRESSURE : 2.5 - 3.0 PSI
- 2) M24x1.5 MOUNTING THREAD IS ALOCHROMED FOR R.F. SCREENING CONTINUITY.
- 3) INTERNAL VALVE MATERIAL : EPDM

MATERIAL ALUMINIUM ALLOY	PROTECTIVE FINISH ANODISED & DYED BLACK SEE NOTE 2				
		REDRAWN	6361	6	15-03-10
EST. WT. _____	SURFACE TEXTURE	CHANGE	MOD No	ISSUE	DATE
DIMS IN mm	_____	TOLERANCES UNLESS OTHERWISE STATED ±0.5			
SCALE 1:1		BROWNELL LTD		DRAWN	CHECKED
		LONDON NW10 7XF		PK	
TITLE	NSN 4820-99-414-7007 R.F. SCREENED PRESSURE RELIEF VALVE (INWARD)		DRAWING No. BL/D7725 INST		

RED DOT = ORIGINAL
BLACK DOT = COPY