

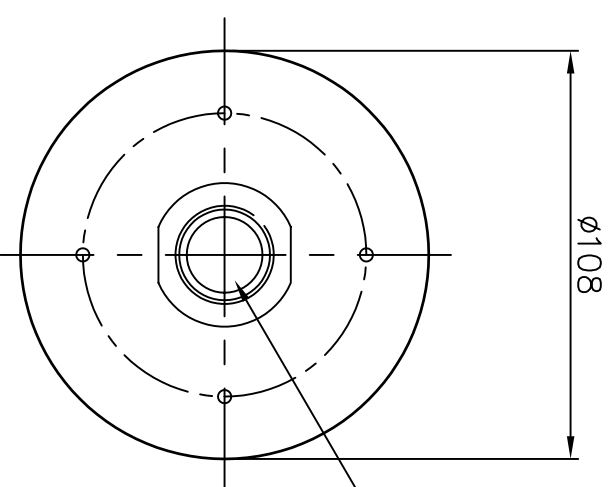
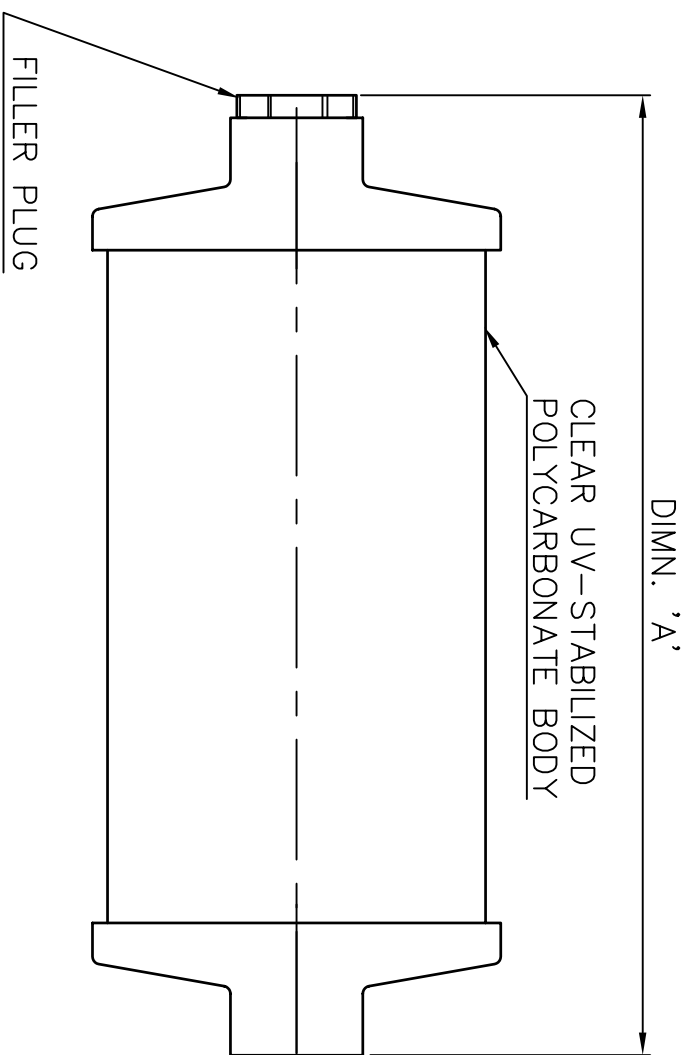
THIS DRAWING IS THE PROPERTY OF BROWNELL LTD, AND MAY NOT BE COPIED OR REPRODUCED WITHOUT THEIR PRIOR WRITTEN PERMISSION

DRG No  
BL/D7548/01-02 INST  
USED ON \_\_\_\_\_

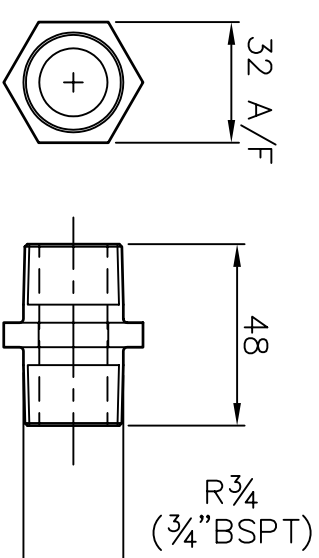
REMOVE ALL SHARP EDGES UNLESS SPECIFIED

THIRD ANGLE PROJECTION

DO NOT SCALE - ASK



G3/4 (3/4" BSPP)



3/4" BSPT ADAPTOR PLUG

DRG. No.	DIMN. 'A'
BL/D7548/01	162
BL/D7548/02	254

NOTES :-

- 1) FILLED WITH INDICATING BEADED SILICA GEL DESICCANT.
- 2) DRY AIR OUTLET CLEANLINESS LEVEL : 0.5 MICRONS.
- 3) DRYER IS SUPPLIED WITH A 3/4" BSPP ADAPTOR PLUG.
- 4) 2" BSPP ADAPTOR PLUG IS AVAILABLE - PART No. BL/D7696

MATERIAL POLYCARBONATE (UNLESS OTHERWISE STATED)	PROTECTIVE FINISH _____	TOLERANCES		TITLE <b>BROWNELL Ltd. LONDON NW10 7XF</b> RESERVOIR VENT DRYER (ULTRA CLEAN RANGE)
		±2		
EST. WT. _____	SURFACE TEXTURE _____	DIMENSIONS IN In/mm	mm	DRAWING NUMBER BL/D7548/01-02 INST
		SCALE (ORIGINAL)	1:2	
RED DOT=ORIGINAL BLACK DOT=COPY		DRAWN PK	CHECKED	
REDRAWN	6279	5	08-09-08	
CHANGE	MOD No	ISSUE	DATE	