

DRG. No.

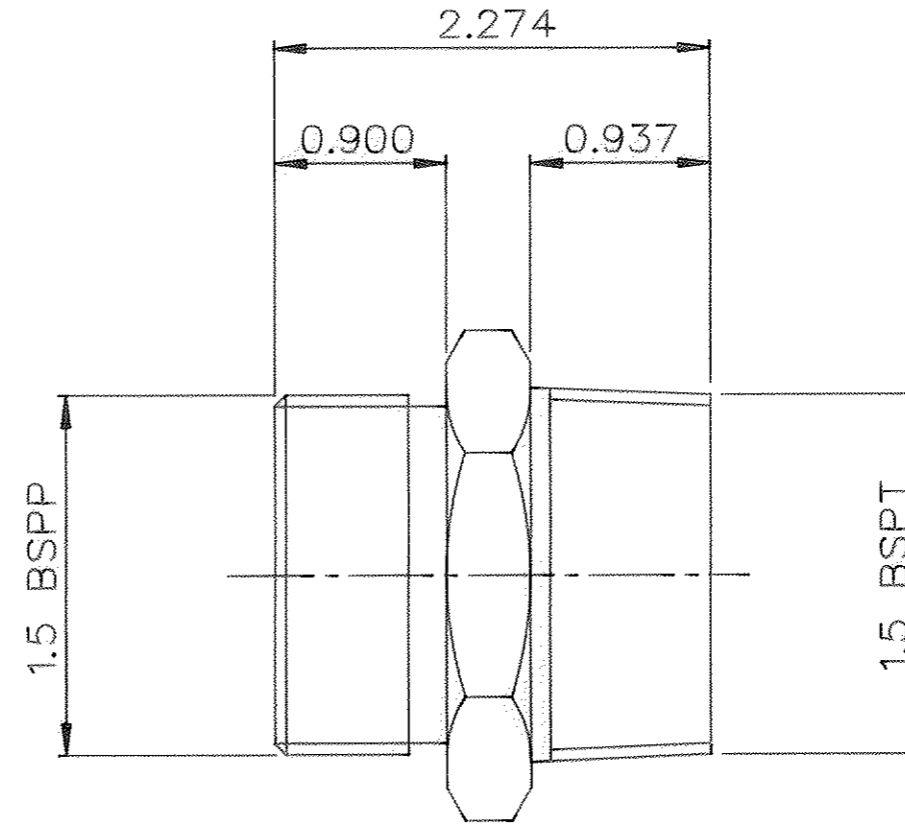
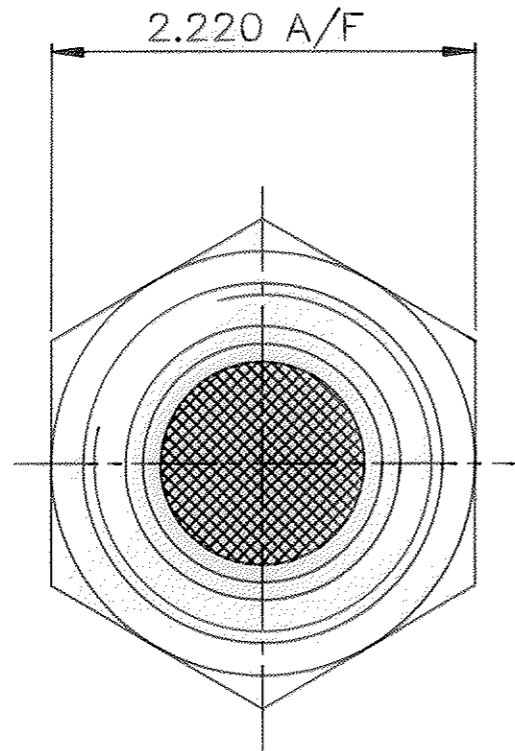
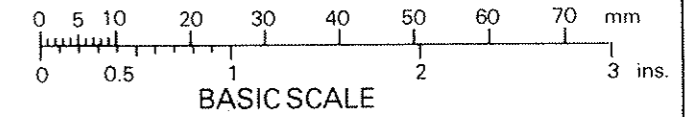
BL/D 7340 INST

USED ON

THIRD ANGLE PROJECTION

REMOVE ALL SHARP EDGES UNLESS SPECIFIED.

DO NOT SCALE - ASK.



DIRECTION OF FLOW →

OPENING PRESSURE: 1 - 2" Wg.

CONFORMS TO PRODUCT SPECIFICATION No 7000.

		A	22/4/96
CHANGE	MOD. No.	ISSUE	DATE

MATERIAL
STAINLESS STEEL
316S16

PROTECTIVE
TREATMENT

TOLERANCES
UNLESS
STATED

±0.040

BROWNELL LTD. LONDON, N.W.10.

CUSTOMERS REF.

DRAWN
LJ

CHECKED
K

DIMNS. IN IN/mm.

TITLE

RELIEF VALVE (INWARD)

DRAWING No.

BL/D 7340 INST

EST. WT. —

SCALE (ORIGINAL) 1 : 1

THIS DESIGN IS THE PROPERTY OF BROWNELL LTD.
AND MAY NOT BE COPIED OR REPRODUCED
WITHOUT THEIR PRIOR WRITTEN PERMISSION.