

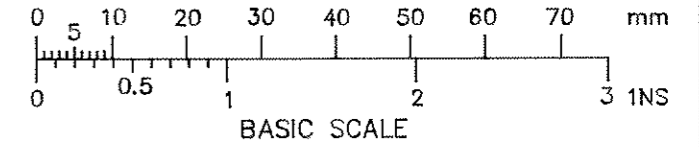
DRG No
BL/D6637/01 INST

USED ON

THIRD ANGLE PROJECTION

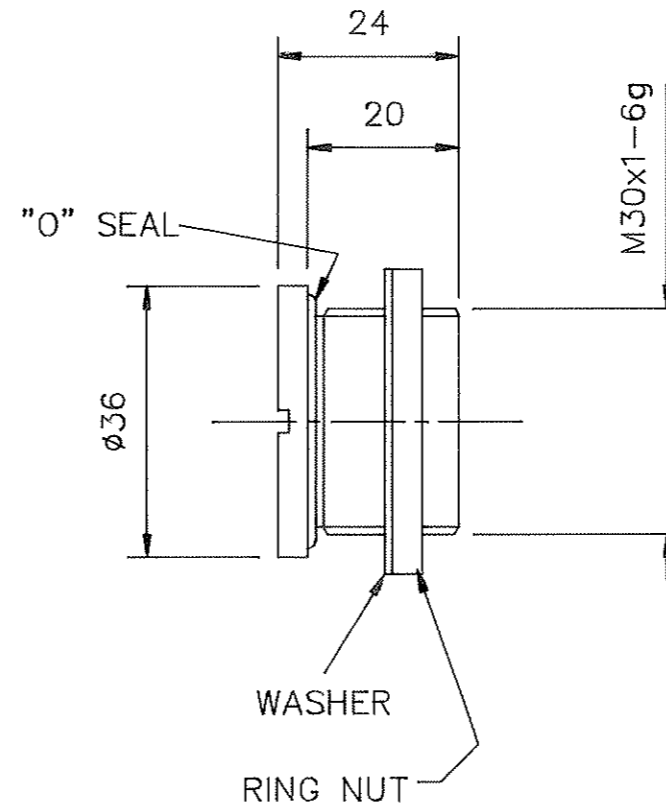
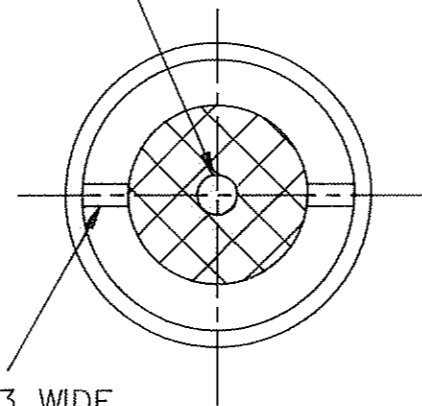
REMOVE ALL SHARP EDGES UNLESS SPECIFIED

DO NOT SCALE - ASK

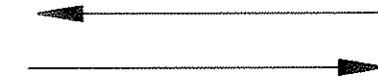


MANUAL OVERRIDE BUTTON

SLOT 3 WIDE
x 1.5 DEEP



FLOW DIRECTION



OPENING PRESSURE (INWARD & OUTWARD): 1.0 ± 0.25 PSI.

| | | | |
|--------------------------|--------|-------|----------|
| OPENING PRESSURE ADDED | 5535 | 4 | 18/10/99 |
| DRG No WAS BL/D6637 | 5303 | 3 | 24/8/98 |
| ALUM ALLOY INT WAS ST ST | 5060 | 2 | 7/5/97 |
| | | 1 | 17/10/93 |
| CHANGE | MOD No | ISSUE | DATE |

| | | | | | | | |
|--|---|---------------------|----------------------------------|--|------------------|-------|---------|
| MATERIAL BODY BLACK POLYCARBONATE ALUM ALLOY INTERNALS | PROTECTIVE FINISH ALUM ALLOY ANODISED | TOLERANCES | CUSTOMER | | CUSTOMER'S REF | DRAWN | CHECKED |
| | | ± 0.5 | BROWNELL Ltd. LONDON NW10 | | | PD | AK |
| EST. WT. | | DIMENSIONS IN in/mm | TITLE | | DRAWING NUMBER | | |
| | | mm | DOUBLE DIFFERENTIAL RELIEF VALVE | | BL/D6637/01 INST | | |
| | | SURFACE ROUGHNESS | | | | | |
| | | SCALE (ORIGINAL) | 1:1 | | | | |