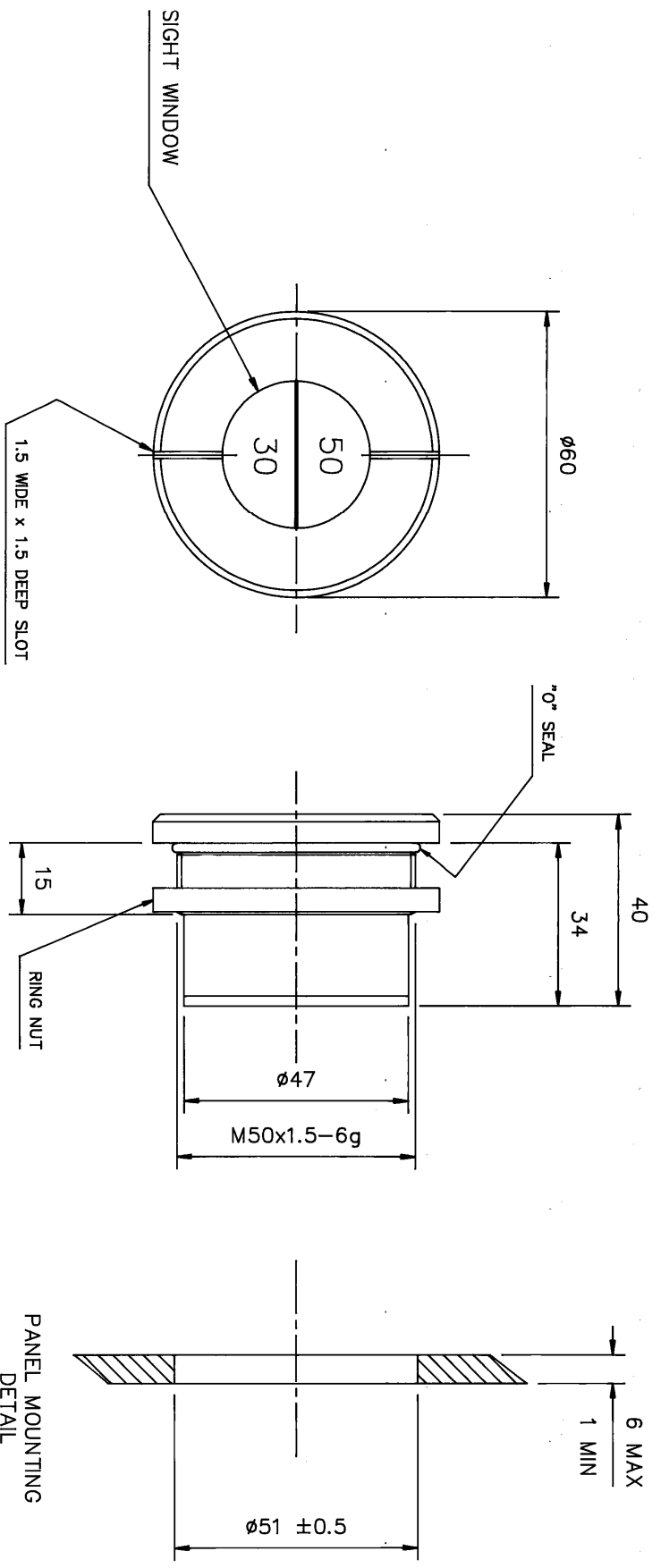


DRG No
BL/D6342/03 INST

USED ON

THIRD ANGLE PROJECTION
REMOVE ALL SHARP EDGES UNLESS SPECIFIED
DO NOT SCALE - ASK



DESICCANT CONTENT 30g SILICA GEL

NOTE: ENSURE THAT THE RING NUT IS LOOSELY FITTED AND NOT TIGHTENED AGAINST THE 'O' RING BEFORE PACKAGING.

MATERIAL	BLACK POLYCARBONATE
EST. WT.	

PROTECTIVE FINISH	NATURAL
-------------------	---------

TOLERANCES	±0.5
DIMENSIONS IN in/mm	
SURFACE ROUGHNESS	
SCALE (ORIGINAL)	1:1

CUSTOMER	BROWNELL Ltd. LONDON NW10
TITLE	PANEL MOUNTED DESICCATOR

DRAWING NUMBER	BL/D6342/03 INST
----------------	------------------

CHANGE	MOD No	ISSUE	DATE
NOTE ADDED	5574	3	16/12/99
SLOT CHANGED	5409	2	25/2/99
		1	11/12/93

CUSTOMER'S REF	DRAWN	CHECKED
	PZ	