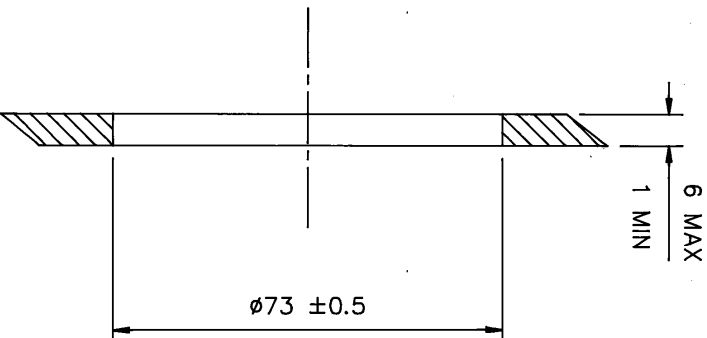
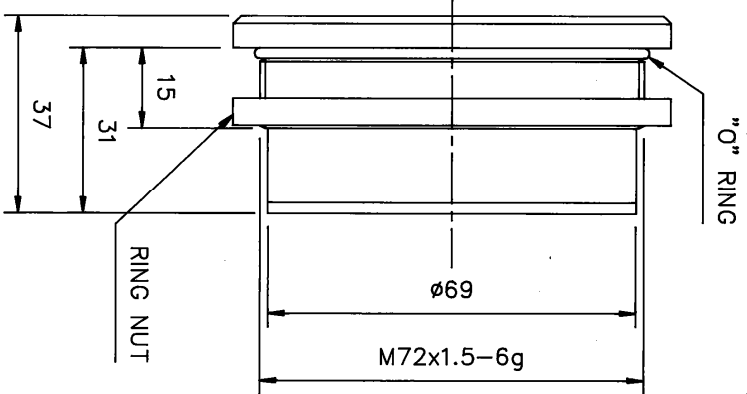
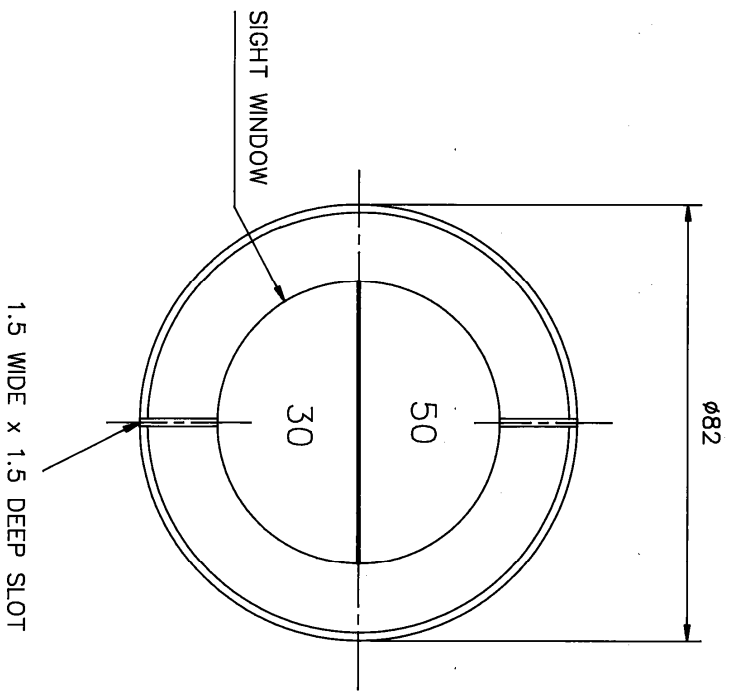
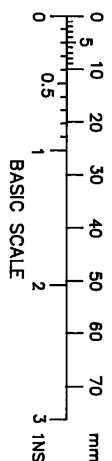


DRG No  
BL/D6342/01 INST

USED ON

THIRD ANGLE PROJECTION  
REMOVE ALL SHARP EDGES UNLESS SPECIFIED  
DO NOT SCALE - ASK



DESICCANT 50g SILICA GEL  
NOTE: ENSURE THAT THE RING NUT IS LOOSELY FITTED AND NOT TIGHTENED AGAINST THE 'O' RING BEFORE PACKAGING.

MATERIAL  
BLACK POLYCARBONATE

PROTECTIVE FINISH  
NATURAL

TOLERANCES  
 $\pm 0.5$

CUSTOMER  
BROWNELL Ltd. LONDON NW10

TITLE  
PANEL MOUNTED DESICCATOR

CHANGE	MOD No	ISSUE	DATE
1		1	11/12/93
LEGEND CORRECTED	4410	2	13/1/94
SLOT CHANGED	5409	3	25/2/99
NOTE ADDED	5574	4	16/12/99

DRAWING NUMBER  
BL/D6342/01 INST