

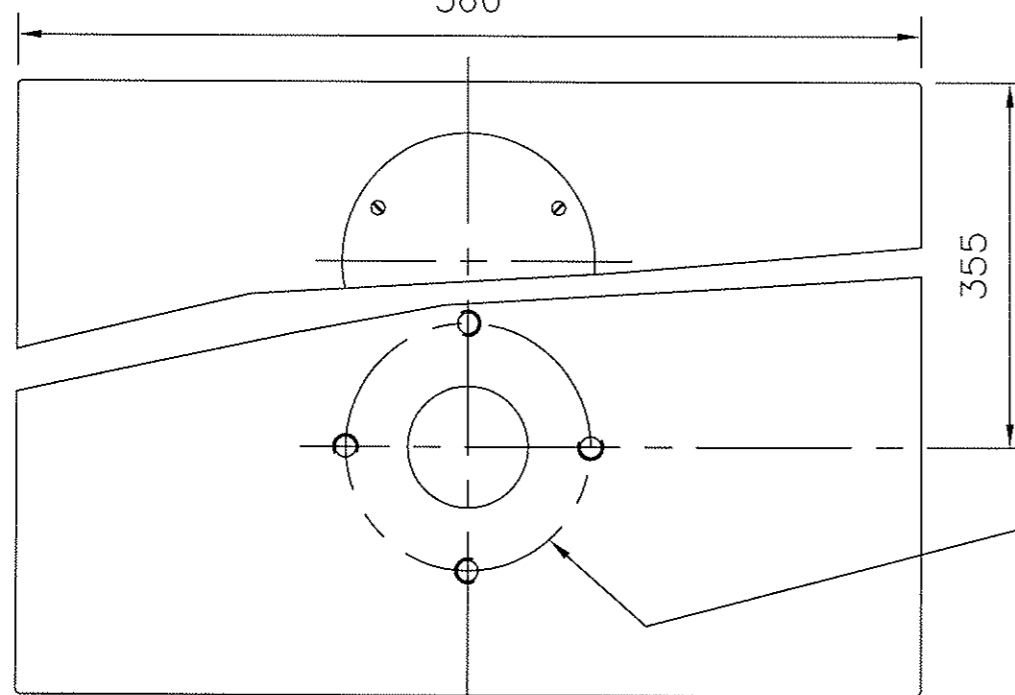
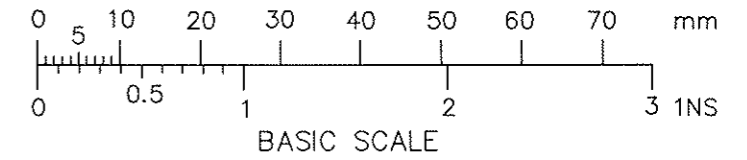
DRG No
BL/D6341/02 INST

THIRD ANGLE PROJECTION

USED ON

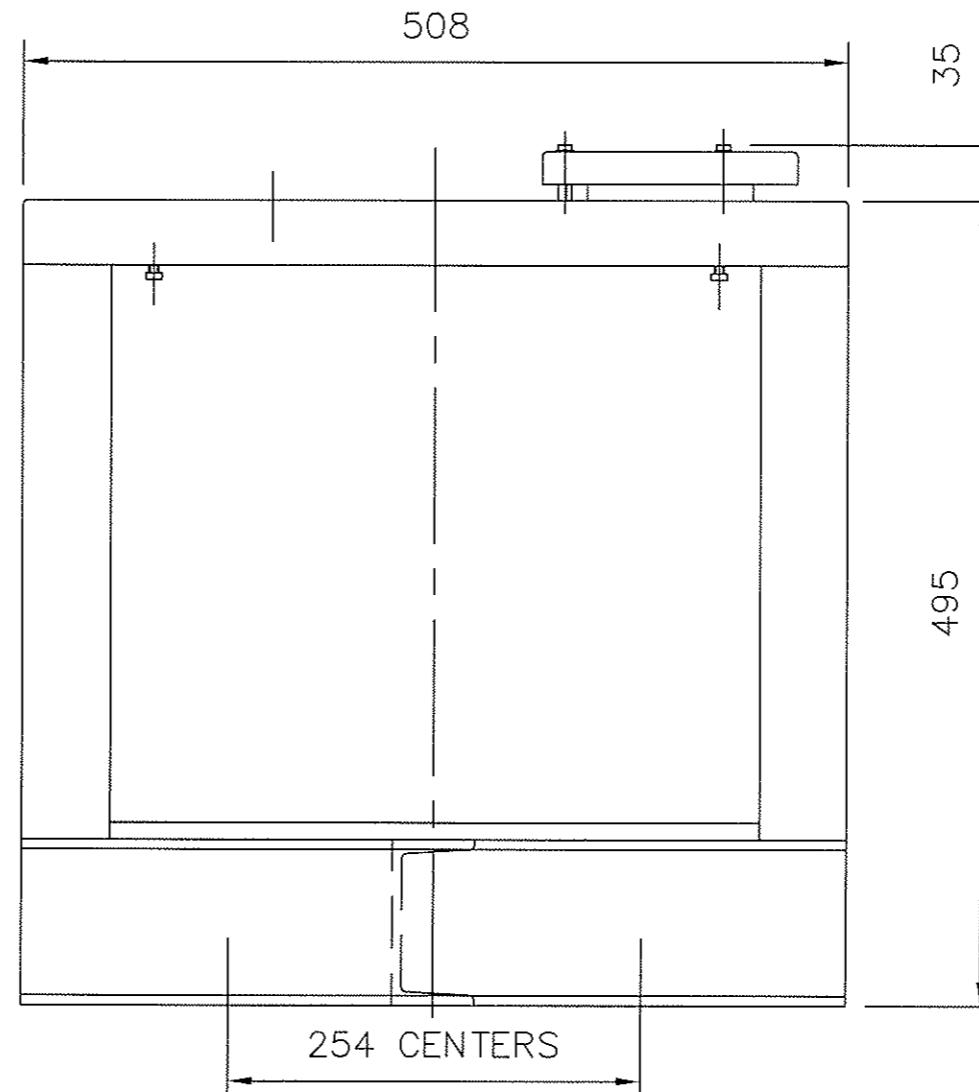
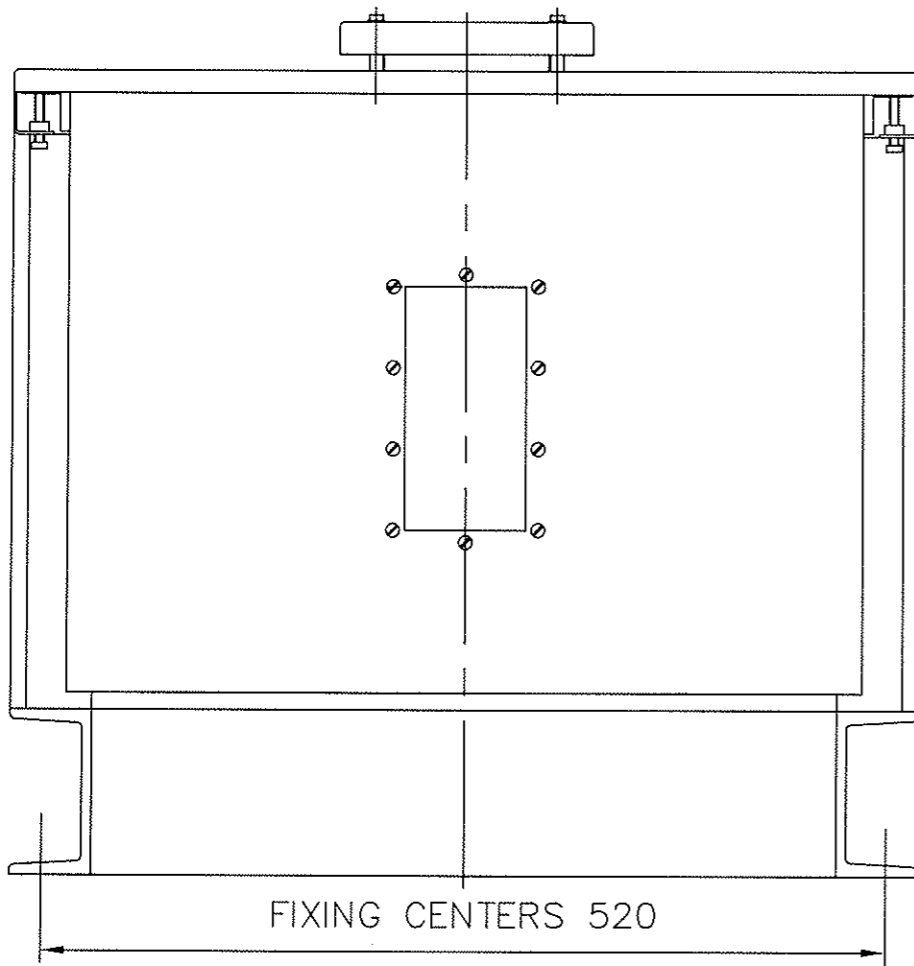
REMOVE ALL SHARP EDGES UNLESS SPECIFIED

DO NOT SCALE - ASK



DESICCANT CHARGE 50Kg

FIXINGS FOR 3" ANSI CLASS 125 FLANGE (M16)



CHANGE	MOD No	ISSUE	DATE
	6199	3	08-06-06
	4930	2	3/7/96
		1	28/10/94

MATERIAL STEEL	PROTECTIVE FINISH PHOSPHATE DEF STAN 03-11 CLASS 2 POLYESTER POWDER COAT BLUE	TOLERANCES ±3	CUSTOMER BROWNELL Ltd. LONDON NW10		CUSTOMER'S REF	DRAWN	CHECKED
		DIMENSIONS IN in/mm mm	TITLE MODEL 630 TANK DRYER			PD	R.
EST. WT.		SURFACE ROUGHNESS			DRAWING NUMBER BL/D6341/02 INST		
		SCALE (ORIGINAL)	1:5				