

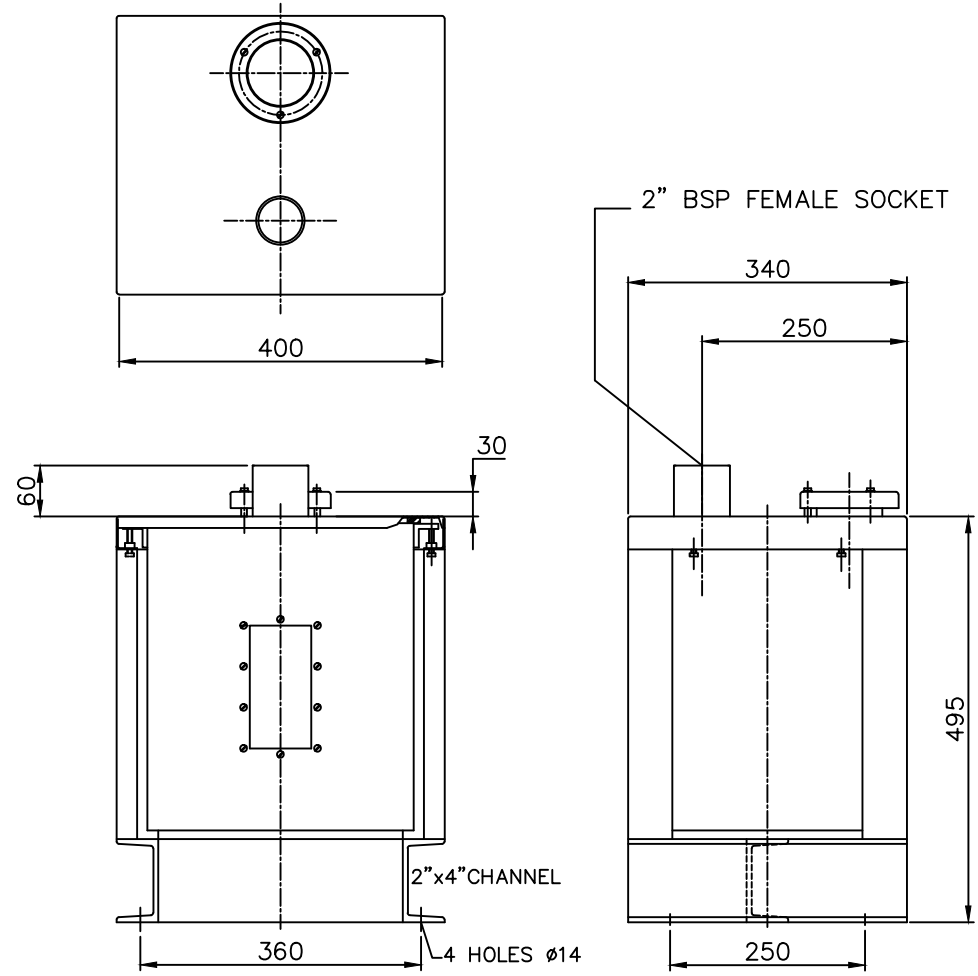
THIS DRAWING IS THE PROPERTY OF BROWNELL LTD. AND MAY NOT BE COPIED OR REPRODUCED WITHOUT THEIR PRIOR WRITTEN PERMISSION

DRG No  
BL/D6341/01 INST  
USED ON -----

REMOVE ALL SHARP EDGES UNLESS SPECIFIED

THIRD ANGLE PROJECTION

DO NOT SCALE - ASK



NOTE: UNIT FILLED WITH ENVIROGEL DESICCANT.

NOTE CHANGED	6776	3	20/11/15
MATL & FINISH ADDED	4930	2	01/07/96
ORIGINAL		1	17/07/95
CHANGE	MOD No	ISSUE	DATE

● RED DOT=ORIGINAL	DRAWN	CHECKED
● BLACK DOT=COPY	RB	

DRAWING NUMBER  
BL/D6341/01 INST

MATERIAL MILD STEEL	PROTECTIVE FINISH PHOSPHATE DEF STAN 03-11 CLASS 2 POLYESTER POWDER COAT BLUE	TOLERANCES UNLESS OTHERWISE STATED	ANGULAR DIMS. ±0.5°	LINEAR DIMS. DIN 16901-130
EST. WT. -----		SURFACE TEXTURE		
		DIMENSIONS IN in/mm	---	
		SCALE (ORIGINAL)	N.T.S	

**BROWNELL Ltd. LONDON NW10 7XF**  
TITLE  
TANK VENT DRYER (620)