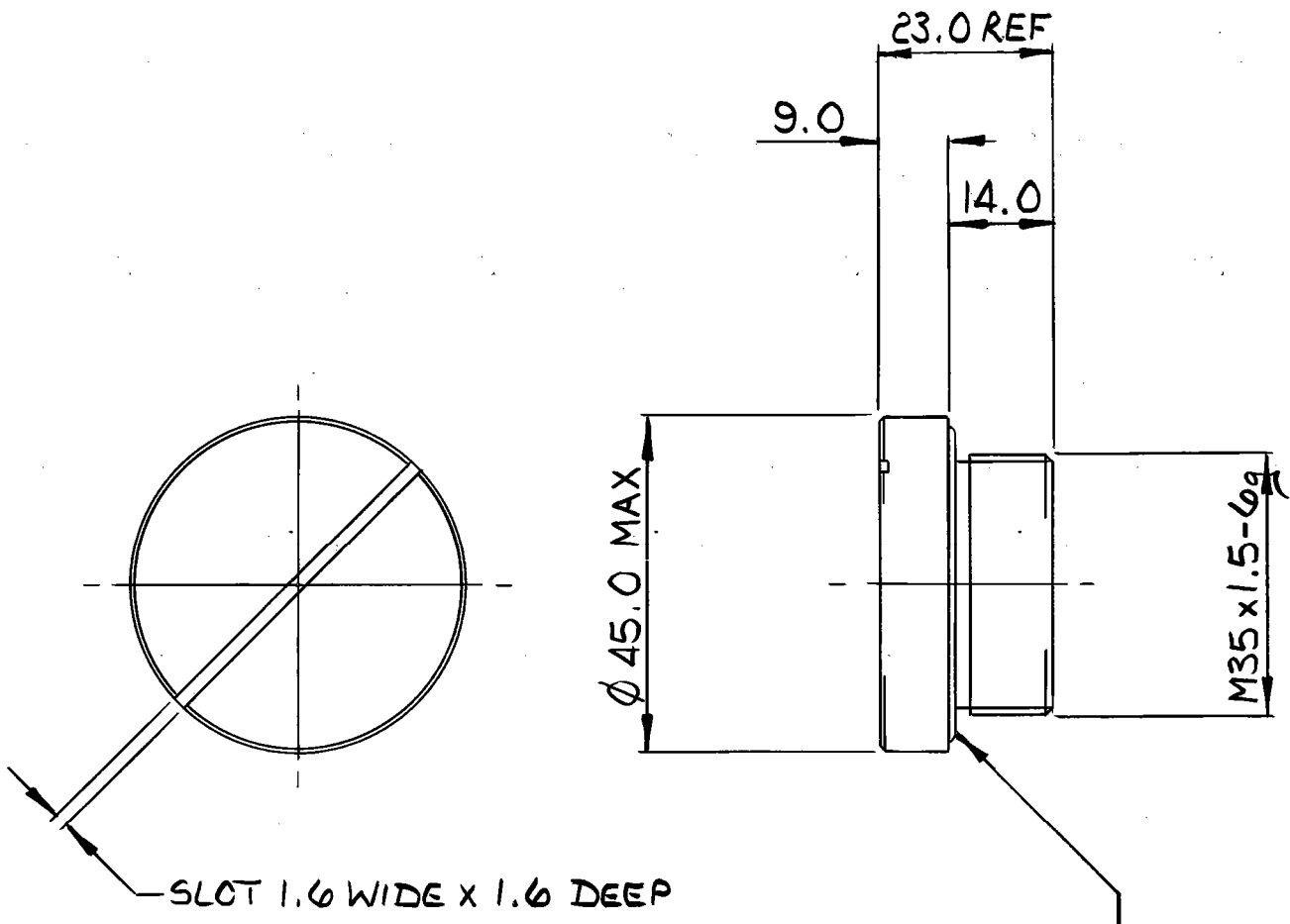


THIS DESIGN IS THE PROPERTY OF BROWNELL LTD.  
AND MAY NOT BE COPIED OR REPRODUCED  
WITHOUT THEIR PRIOR WRITTEN PERMISSION.

DRG. No.  
BL/D 5523 INST

USED ON

THIRD ANGLE  
PROJECTION



NITRILE 'O' SEAL TO BS4518  
40°-50° SHORE HARDNESS

MATERIAL ALUM. ALLOY	PROTECTIVE FINISH ANODISED TO DEF STAN 03-25 & DYED BLACK	23.0 REF DIMN ADDED ANODISING SPEC. ADDED REDRAWN.	5279	C	8.7.98
EST. WT. —		CHANGE	MOD. No.	ISSUE	DATE
DIMNS IN mm	SURFACE ROUGH	TOLERANCES			
SCALE 1-1	—	±0.5			
BROWNELL LIMITED LONDON N.W.10				DRAWN R.	CHKD.
SUB CONT. —	SUB CONT. DRG. REF. —				
TITLE BLANKING PLUG		DRAWING No. BL/D 5523 INST			