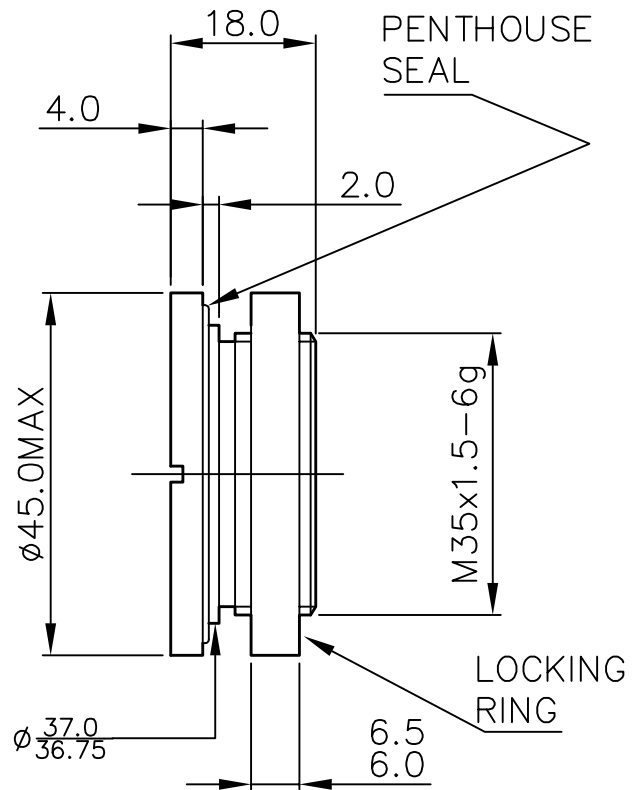
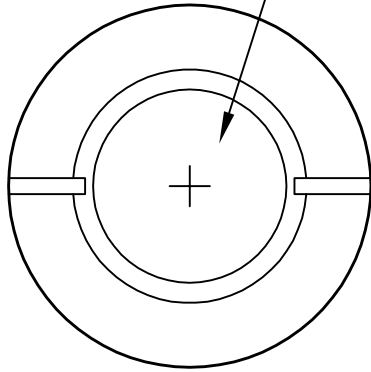


DRG No
BL/D5413/01-07 INST

USED ON BL/D3758

THIRD ANGLE PROJECTION

HUMIDITY INDICATOR
SEE TABLE



THIS DESIGN IS THE PROPERTY OF BROWNELL LTD, AND MAY NOT BE COPIED OR REPRODUCED WITHOUT THEIR PRIOR WRITTEN PERMISSION

DRAWING No.	INDICATOR LEVELS AT 25°C	NSN
BL/D5413/01	20% RH	
BL/D5413/02	50% RH	
BL/D5413/03	15 & 30% RH	
BL/D5413/04	10, 20, 30, & 40% RH	
BL/D5413/05	20, 30, 40, & 50% RH	6685-99-147-0368
BL/D5413/06	30, 40, & 50% RH	
BL/D5413/07	30, 40, & 50% RH	NO LOCKING RING

NOTE : HUMIDITY INDICATOR CONFORMS TO DEF STAN 66-14

MATERIAL ALUMINIUM ALLOY	PROTECTIVE FINISH ANODISED & DYE BLACK	DRG No. CHANGED	6557	F	24/01/14
		/07 ADDED	6154	E	02/06/05
		/06 WAS 20 ETC	6126	D	23/11/04
		REDRAWN	6122	C	28/10/04
EST. WT. _____	SURFACE ROUGHNESS _____	CHANGE	MOD No	ISSUE	DATE
DIMS IN mm	_____	TOLERANCES	±0,5		
SCALE 1:1	_____				
RED DOT = ORIGINAL BLACK DOT = COPY	BROWNELL LTD LONDON NW10 7XF		DRAWN AA	CHECKED	

TITLE HUMIDITY INDICATOR	DRAWING No. BL/D5413/01-07 INST
-----------------------------	------------------------------------