

DRG.No.

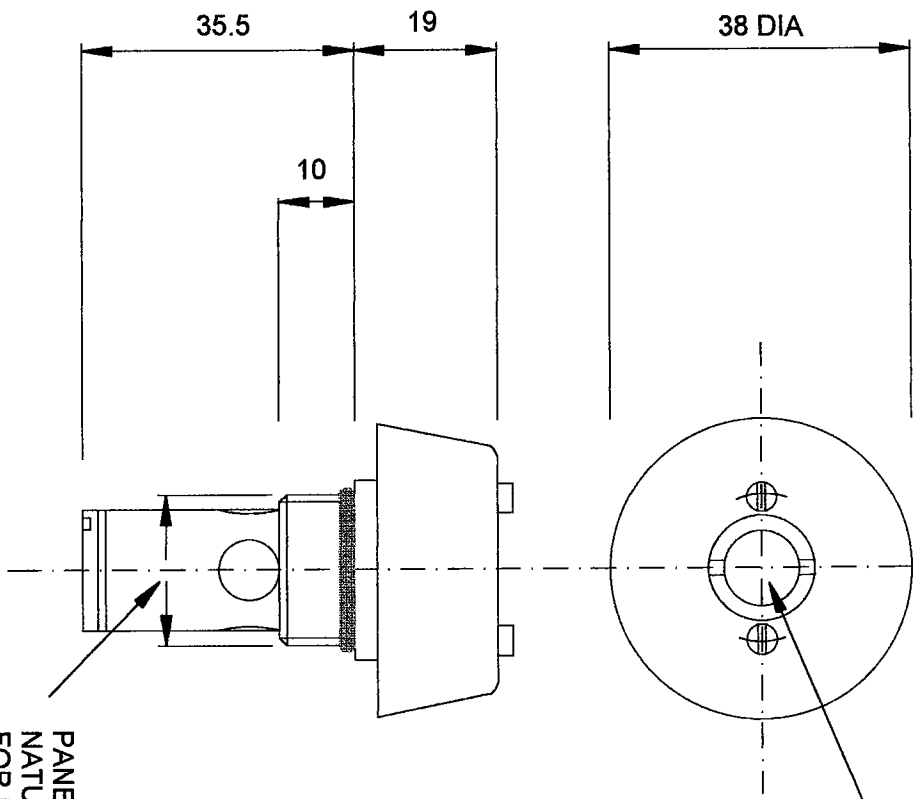
BLD5055/01-04 INST

USED ON B/L

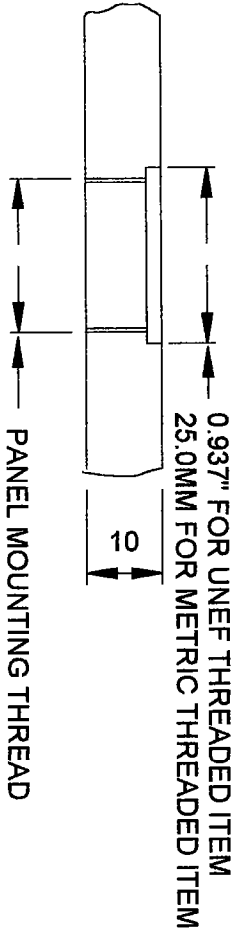
# THIRD ANGLE PROJECTION

THIS DESIGN IS THE PROPERTY OF BROWNELL LTD AND MAY NOT BE REPRODUCED WITHOUT THEIR PRIOR WRITTEN PERMISSION

DO NOT SCALE - ASK



- NOTES:-
1. SPLIT-LEVEL HUMIDITY INDICATOR  
15%-30% FOR MOLSIEVES DESICCANT  
30%-50% FOR SILICA GEL DESICCANT
  2. TO ENSURE RF SCREENING CONTINUITY THE EQUIPMENT THREAD MUST BE EITHER BARE METAL OR ALOCHROMED



### PANEL MOUNTING DETAILS

Drawing No.	Desiccant	Panel Thread
BLD5055/01	Silica Gel	3/4"x20UNEF
BLD5055/02	Molsieves	3/4"x20UNEF
BLD5055/03	Silica Gel	M20X1.5-6g
BLD5055/04	Molsieves	M20X1.5-6g

PANEL MOUNTING THREAD  
NATURAL FINISH OR ALOCHROME  
FOR RF CONTINUITY  
SEE TABLE FOR SIZE

ANODIC COLOURS ADDED	5623	3	7-3-00
METRIC THREAD ADDED		2	15-3-90
ORIGINAL		1	27-9-82

MATERIAL

SEE DETAIL DRAWINGS

PROTECTIVE TREATMENT

METAL PARTS ANODISE & DYE  
HEAD BLUE/BLACK  
BODY GREEN

TOLERANCES

EST. WT.  
DIMNS. IN INCS & MM  
SCALE 1 : 1

BROWNELL LTD. LONDON. NW10

TITLE

RF SCREENED DESICCANT CONTAINER  
DEHUMIDIFIER (BREATHER TUBE)

CHANGE	MOD.No.	ISSUE	DATE
DRAWN NGH		CHECKED	GGH

BLD5055/01-04 INST