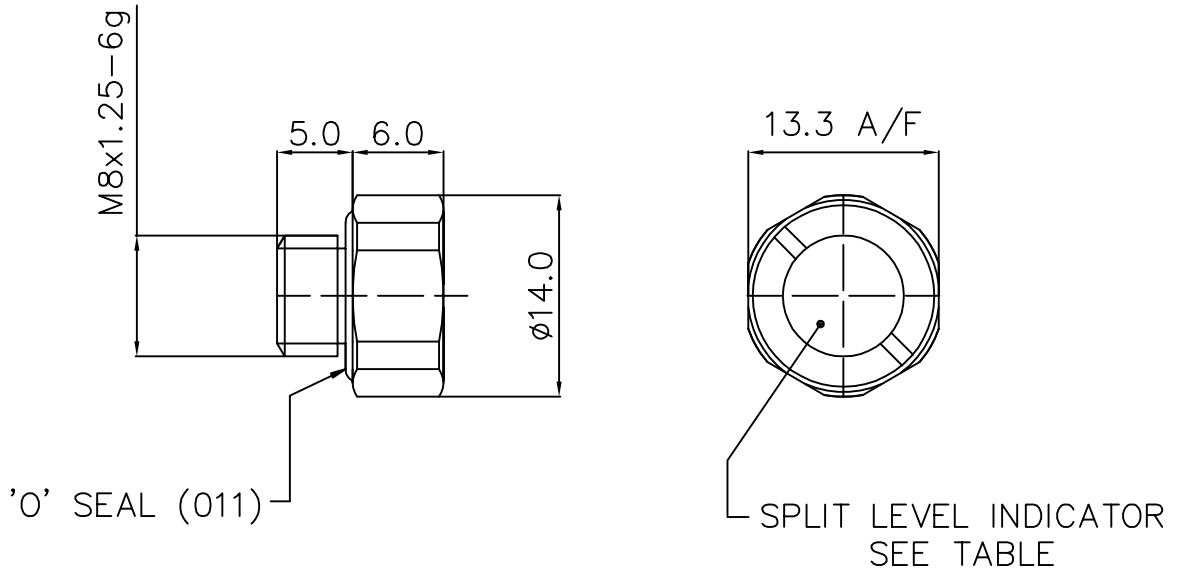


DRG No
BL/D4857/01-04 INST
USED ON

REMOVE ALL SHARP EDGES
UNLESS SPECIFIED

THIRD ANGLE PROJECTION
DO NOT SCALE - ASK




NOTES

CONFORMS TO DEF-STAN 66-14 WHERE APPLICABLE.
INDICATOR IS PRESSURE TESTED AT 14 PSI.

DRG No	INDICATOR LEVELS AT 25°C	NATO STOCK NUMBER	R.F.SCREENED
BL/D4857/01	30 & 50% RH	6685-99-126-4409	NO
BL/D4857/02	15 & 30% RH		NO
BL/D4857/03	15 & 30% RH		YES
BL/D4857/04	30 & 50% RH		YES

THIS DESIGN IS THE PROPERTY OF BROWNELL LTD, AND MAY NOT BE COPIED OR REPRODUCED WITHOUT THEIR PRIOR WRITTEN PERMISSION

MATERIAL BRASS	PROTECTIVE FINISH NICKEL FLASH ZINC & PAS	REDRAWN	6402	6	17/01/11
EST. WT. -----	SURFACE ROUGHNESS	CHANGE	MOD No	ISSUE	DATE
DIMS IN mm	3.2µm (N8)	TOLERANCES (UNLESS STATED)	LINEAR		ANGULAR
SCALE 2:1			±0.5		±0.5°
 RED DOT = ORIGINAL BLACK DOT = COPY	BROWNELL LTD LONDON NW10 7XF		DRAWN AM	CHECKED	
TITLE HUMIDITY INDICATOR			DRAWING No. BL/D4857/01-04 INST		