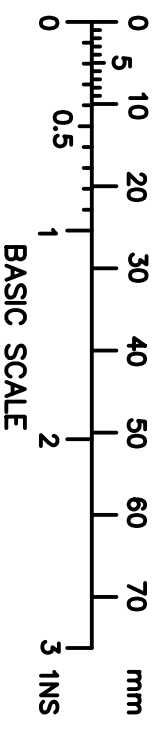


DRG No
BL/D4318/01-10 INST
USED ON

THIRD ANGLE PROJECTION

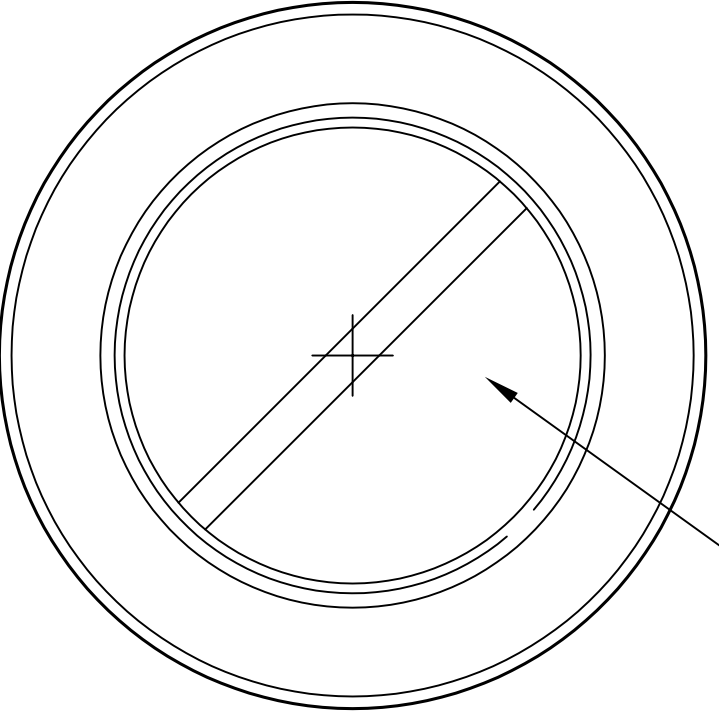
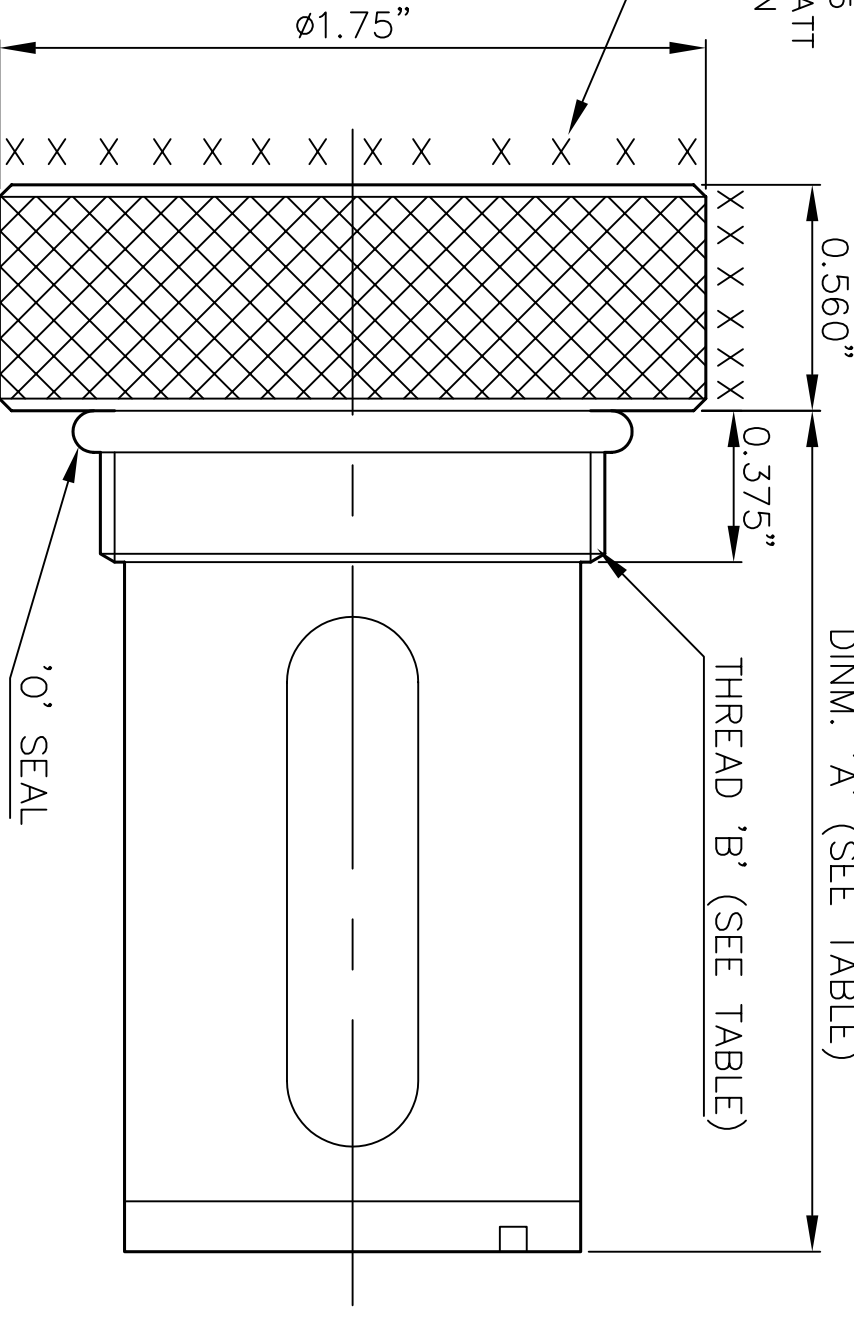
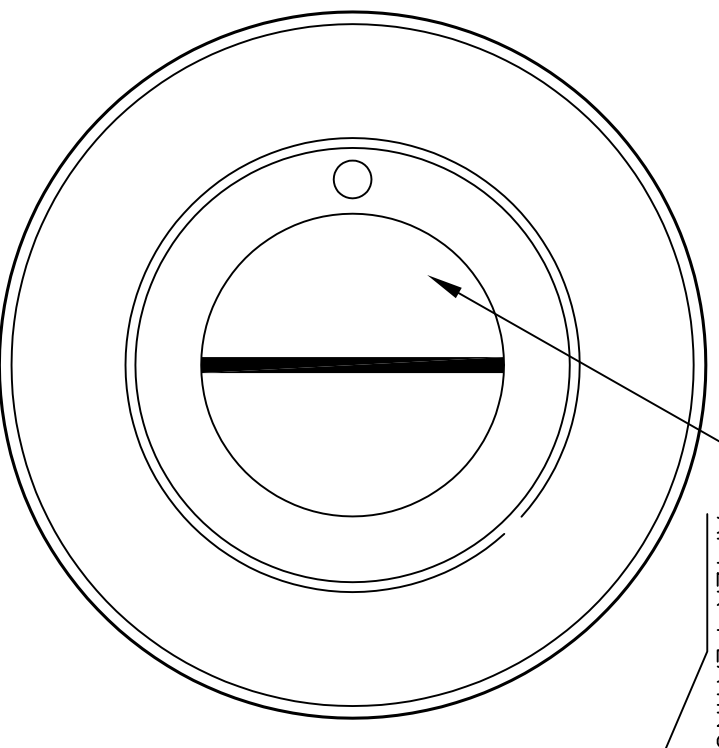
REMOVE ALL SHARP EDGES UNLESS SPECIFIED

DO NOT SCALE - ASK



SPLIT LEVEL HUMIDITY INDICATOR (SEE TABLE)

BL/D4318/03-04-05 -07 & 09, PAINT MATT BLACK WHERE SHOWN AFTER PLATING



DRG. No.	LENGTH 'A' INS OR MM	THREAD 'B'	BEADED DESICCANT	NOMINAL CONTENTS	INDICATOR LEVELS	R.F. SCREEN	N.S.N.
BL/D4318/01	2.084"	1.25x20UN	SILICA GEL	20 GRMS	30/50%R.H.	NO	4440-99-
BL/D4318/02	2.084"	M32x1.5-6g	SILICA GEL	20 GRMS	30/50%R.H.	NO	535-4337
BL/D4318/03	2.084"	M32x1.5-6g	MOLSIEVES	20 GRMS	15/30%R.H.	YES **	
BL/D4318/04	2.084"	M32x1.5-6g	SILICA GEL	20 GRMS	30/50%R.H.	YES **	252-6352
BL/D4318/05	2.084"	1.25x20UN	SILICA GEL	20 GRMS	30/50%R.H.	YES **	
BL/D4318/06	106 MM	M32x1.5-6g	SILICA GEL	40 GRMS	30/50%R.H.	NO	
BL/D4318/07	106 MM	M32x1.5-6g	SILICA GEL	40 GRMS	30/50%R.H.	YES **	
BL/D4318/08	106 MM	M32x1.5-6g	MOLSIEVES	40 GRMS	15/30%R.H.	NO	
BL/D4318/09	106 MM	M32x1.5-6g	MOLSIEVES	40 GRMS	15/30%R.H.	YES **	
BL/D4318/10	2.084"	M32x1.5-6g	SILICA GEL	20 GRMS	NONE	NO	

NOTE :- THE TERM 'MOLSIEVES' IN THE ABOVE TABLE REFERS TO GRADE 4A 1-3MM MOLECULAR SIEVES TO BS7444. - THE SILICA GEL DESICCANT CONFORMS TO BS7554

MATERIAL ALUMINIUM ALLOY	PROTECTIVE FINISH ANODISED (EXCEPT WHERE STATED)	TOLERANCES		TITLE BROWNELL Ltd. LONDON NW10 7XF DESICCANT CONTAINER DEHUMIDIFIER (PANEL MOUNTING)	DRAWING NUMBER BL/D4318/01-10 INST
		DIMENSIONS IN in/mm	NS & MM		
EST. WT.		SURFACE ROUGHNESS			
		SCALE (ORIGINAL)	2:1		

R.F. SCREENED UNITS - THE MOUNTING THREAD IS ELECTROLESS NICKLE FOR R.F. CONTINUITY. SURFACES MARKED THUS *** TO BE PAINTED MATT BLACK AFTER PLATING.

EACH ITEM IS PACKAGED FOR A TEMPERATE SHELF LIFE OF 5 YEARS OR FOR 3 YEARS TROPICAL STORAGE.

CHANGE	MOD No	ISSUE	DATE
/10 ADDED	6154	6	03-06-05
	6115	5	15-09-04
	5791	4	28-04-01

RED DOT=ORIGINAL
BLACK DOT=copy

DRAWN	CHECKED
PK	