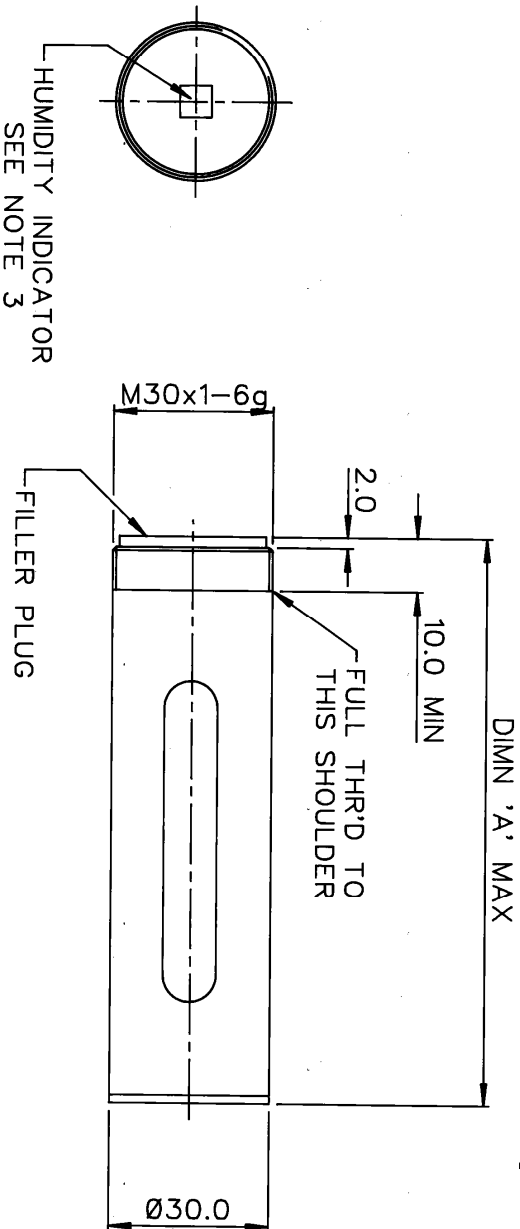


DRG NO
BL/D 2895/01-04 INST
USED ON DEF STAN 44-2

THIRD ANGLE PROJECTION

REMOVE ALL SHARP EDGES UNLESS SPECIFIED

DO NOT SCALE - ASK



DRG No	STYLE	NSN	DIMN 'A' MAX	DESICCANT	NOMINAL CONTENTS	NSN FOR REFILL
BL/D2895/01	RCT33MMS	4440-99-225-3240	80.0	MOLECULAR SIEVES	25 GRM	4440-99-225-3260
BL/D2895/02	RCT34MMS	4440-99-225-3241	125.0	MOLECULAR SIEVES	45 GRM	4440-99-225-3261
BL/D2895/03	RCT37MBSG	4440-99-225-3244	80.0	BEADED SILICA GEL	25 GRM	4440-99-225-3272
BL/D2895/04	RCT38MBSG	4440-99-225-3245	125.0	BEADED SILICA GEL	45 GRM	4440-99-225-3273

NOTES

- DESICCANT CONFORMS TO THE FOLLOWING SPECIFICATIONS, MOLECULAR SIEVES - TS10273, BEADED SILICA GEL - TS10208.
- ALL DESICCATORS IRRESPECTIVE OF THE TYPE OF DESICCANT USED ARE OVERPACKAGED IN SCREW CAP ALUMINIUM CONTAINERS SUITABLY TREATED TO ENSURE THAT THERE IS NOT MORE THAN 2% INCREASE IN WEIGHT OF THE DESICCANT IN 5 YEARS WHEN STORED IN TEMPERATE CONDITIONS.
- A COBALT BROMIDE INDICATOR DISC WHICH SHOWS A COLOUR CHANGE FROM BLUE TO PINK WHEN THE EQUILIBRIUM RH EXCEEDS 10% AT 25 °C IS FITTED AS A GUIDE TO THE CONDITION OF THE DESICCANT WHEN THE DESICCATOR IS FIRST REMOVED FROM ITS STORAGE CONTAINER.

MATERIAL	PROTECTIVE FINISH	TOLERANCES UNLESS STATED	±0.5	TITLE	BROWNELL LIMITED LONDON NW10	CUSTOMER REF.	DRAWN	CHECKED
ALUM ALLOY	ANODISED BLACK	DIMNS IN mm/mm	1:1	DESICCANT CONTAINER DEHUMIDIFIER RECHARGEABLE SERIES - TUBULAR			LJ	K
EST. WT.		SCALE (ORIGINAL)						

ANODIC COLOUR CHANGED	5870	6	17/12/01
REDRAWN	3908	5	15/10/90
CHANGE	MOD NO	ISSUE	DATE

DRAWING NO
BL/D 2895/01-04 INST