

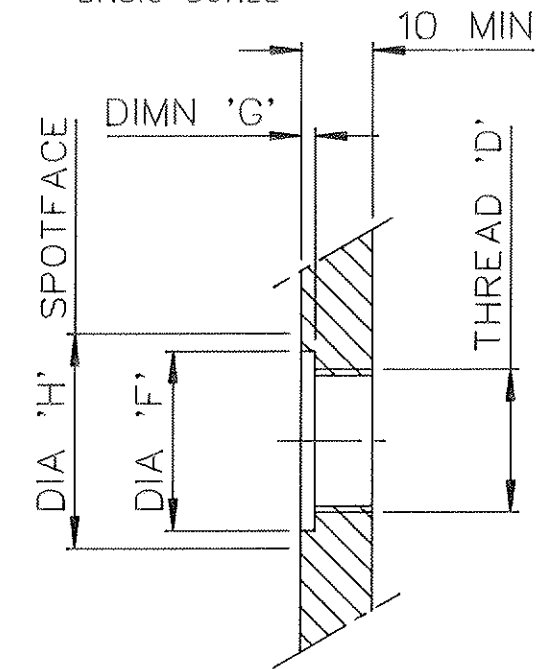
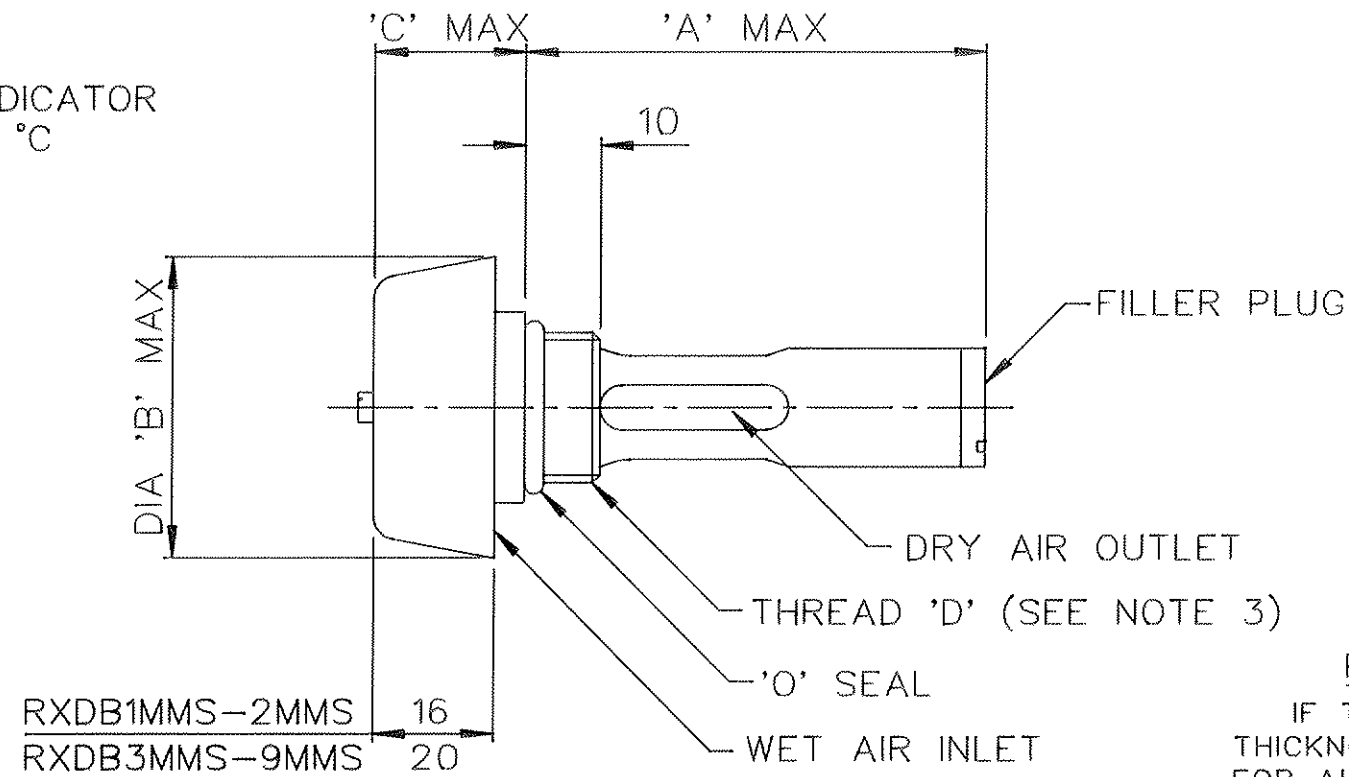
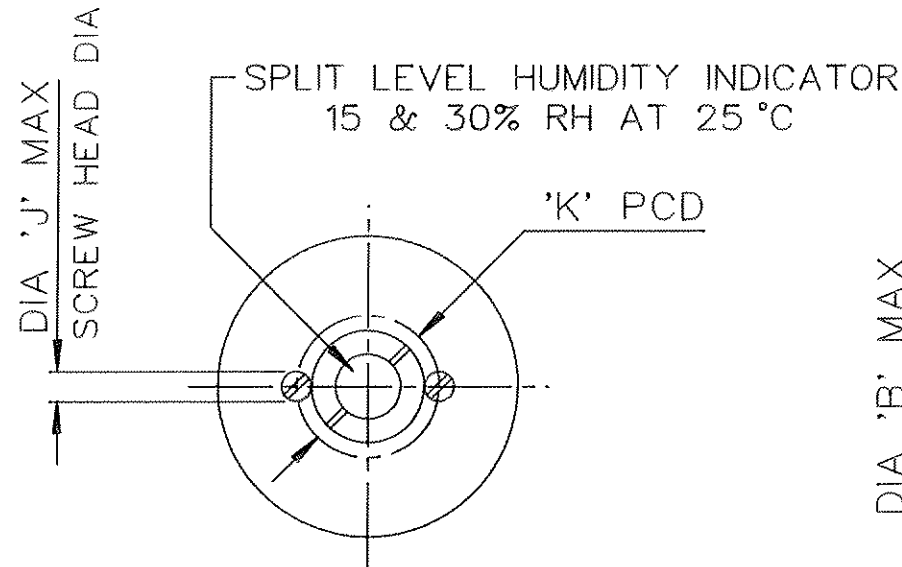
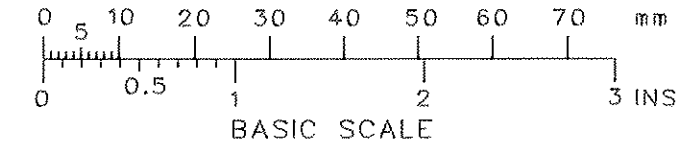
DRG No SHT 4 OF 4
BL/D 2233/28-36 INST

USED ON

THIRD ANGLE PROJECTION

REMOVE ALL BURRS & SHARP EDGES

DO NOT SCALE - ASK



PANEL MOUNTING DETAILS

IF THE PANEL IS OF INSUFFICIENT THICKNESS SEE DEF STAN 44-2 PART 1 FOR ALTERNATIVE METHOD OF MOUNTING

THIS DESIGN IS THE PROPERTY OF BROWNELL LTD AND MAY NOT BE COPIED OR REPRODUCED WITHOUT THEIR PRIOR WRITTEN PERMISSION

DRG No	NSN	STYLE	'A' MAX	DIA 'B' MAX	'C' MAX	THREAD 'D'	NOMINAL CONTENTS	NOM. WKG. CAPACITY	DIA 'F'	DIMN 'G'	DIA 'H'	DIA 'J' MAX	'K' PCD
BL/D2233/28	4440-99-225-3194	RXDB1MMS	63	39	20	M20x1.5-6g	5 GRM	7 LITRES	24	1.5	28	4	19
BL/D2233/29	4440-99-225-3195	RXDB2MMS	115	39	20	M20x1.5-6g	10 GRM	14 LITRES	24	1.5	28	4	19
BL/D2233/30	4440-99-225-3196	RXDB3MMS	55	56	26	M32x1.5-6g	20 GRM	28 LITRES	37	1.5	41	4.9	28.5
BL/D2233/31	4440-99-225-3197	RXDB4MMS	106	56	26	M32x1.5-6g	40 GRM	56 LITRES	37	1.5	41	4.9	28.5
BL/D2233/32	4440-99-225-3198	RXDB5MMS	104	63	26	M39x1.5-6g	60 GRM	84 LITRES	N.A.	N.A.	52	4.9	40.6
BL/D2233/33	4440-99-225-3199	RXDB6MMS	194	63	26	M39x1.5-6g	100 GRM	140 LITRES	N.A.	N.A.	52	4.9	40.6
BL/D2233/34	4440-99-225-3200	RXDB7MMS	219	77	26	M52x1.5-6g	200 GRM	280 LITRES	N.A.	N.A.	64	6.4	44.5
BL/D2233/35	4440-99-225-3201	RXDB8MMS	324	77	26	M52x1.5-6g	300 GRM	420 LITRES	N.A.	N.A.	64	6.4	44.5
BL/D2233/36	4440-99-225-3202	RXDB9MMS	334	90	26	M60x1.5-6g	400 GRM	560 LITRES	N.A.	N.A.	78	6.4	50.8

NOTES

- FILLED WITH BEADED MOLECULAR SIEVES DESICCANT TO BS7444.
- CONFORMS TO DEF STAN 44-2.
- MOUNTING THREAD IS NATURAL FINISH FOR R.F. SCREENING CONTINUITY.
- PACKAGED FOR A SHELF LIFE OF 5 YEARS WHEN STORED IN TEMPERATE CONDITIONS.
- SEE SHEET 1 FOR BL/D2233/01-09, SHEET 2 FOR BL/D2233/10-18 & SHEET 3 FOR BL/D2233/19-27.

ANODIC COLOUR CHANGED	5932	9	10/4/02
REDRAWN	4583	8	18/10/94
CHANGE	MOD No	ISSUE	DATE

MATERIAL	PROTECTIVE FINISH	TOLERANCES UNLESS STATED	±1.0	BROWNELL LIMITED LONDON NW10	CUSTOMER REF.	DRAWN	CHECKED
ALUM ALLOY	ANODISED BLACK (THR'D NATURAL)	DIMNS IN INS /mm		TITLE	DRAWING No	LJ	
EST. WT. —		SCALE (ORIGINAL)	N.T.S	DESICCANT CONTAINER DEHUMIDIFIER (BREATHER TUBE - R.F. SCREENED)	SHT 4 OF 4 SHTS		
					BL/D 2233/28-36 INST		