

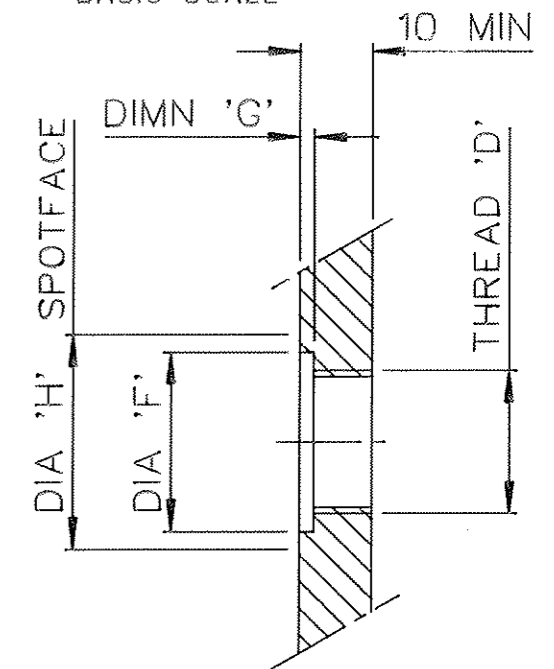
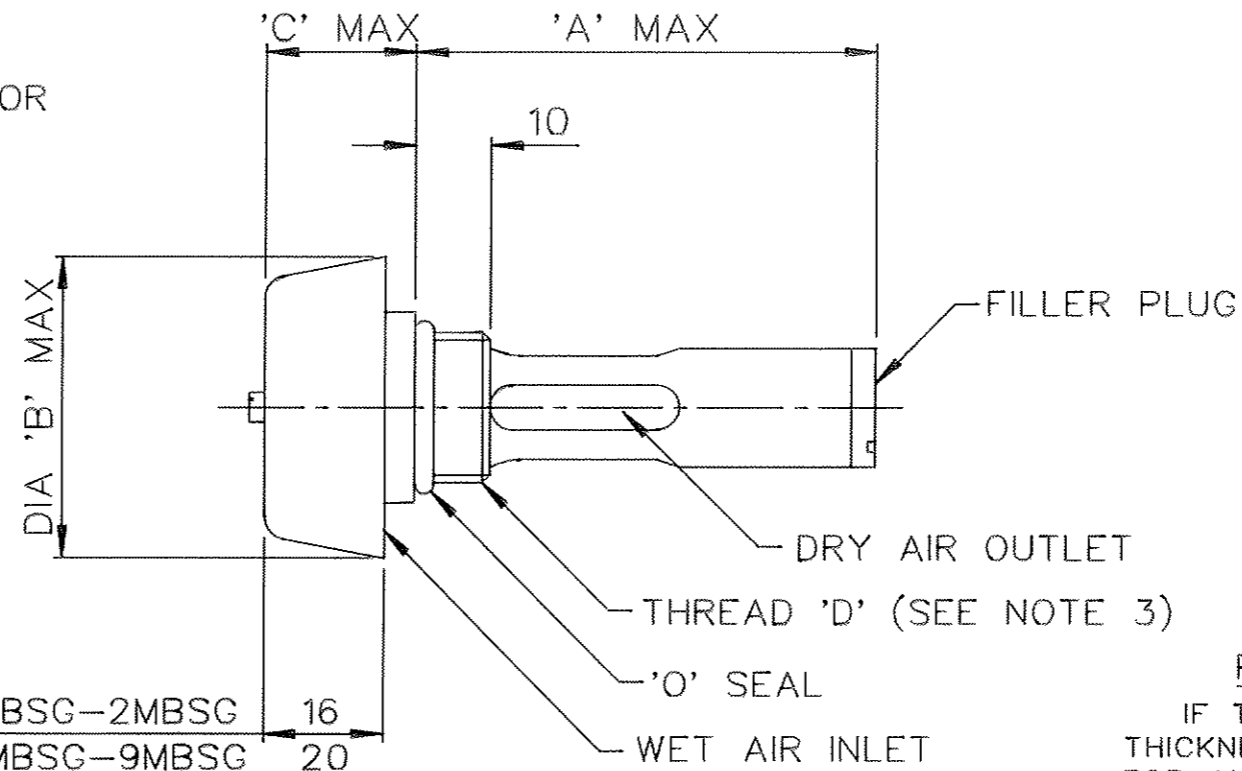
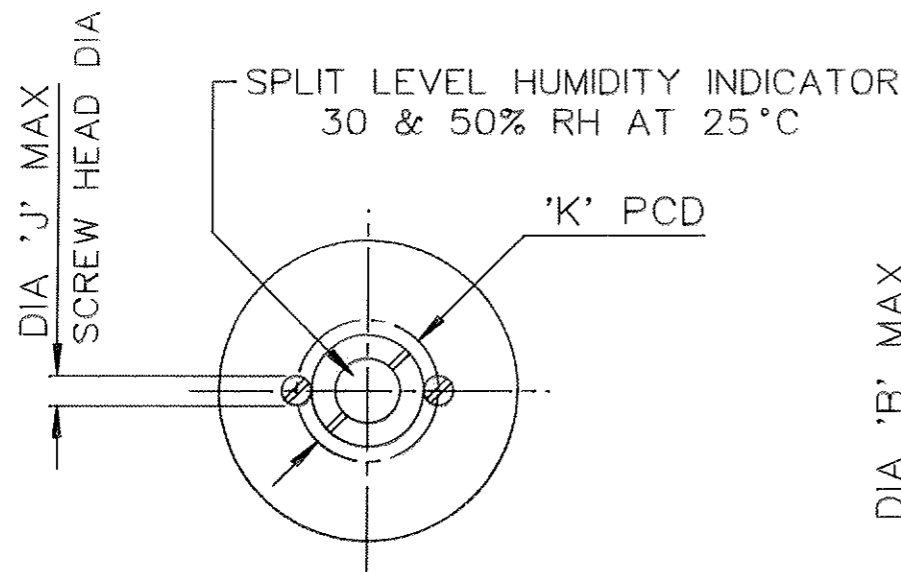
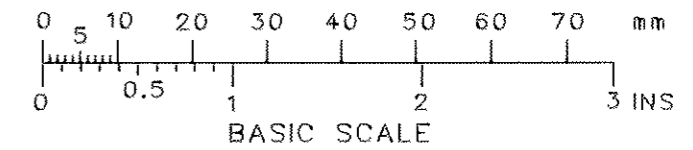
DRG No SHT 3 OF 4  
BL/D 2233/19-27 INST

USED ON

THIRD ANGLE PROJECTION

REMOVE ALL BURRS & SHARP EDGES

DO NOT SCALE - ASK



PANEL MOUNTING DETAILS

IF THE PANEL IS OF INSUFFICIENT THICKNESS SEE DEF STAN 44-2 PART 1 FOR ALTERNATIVE METHOD OF MOUNTING

RXDB1MBSG-2MBSG 16  
RXDB3MBSG-9MBSG 20

THIS DESIGN IS THE PROPERTY OF BROWNELL LTD AND MAY NOT BE COPIED OR REPRODUCED WITHOUT THEIR PRIOR WRITTEN PERMISSION

DRG No	NSN	STYLE	'A' MAX	DIA 'B' MAX	'C' MAX	THREAD 'D'	NOMINAL CONTENTS	NOM. WKG. CAPACITY	DIA 'F'	DIMN 'G'	DIA 'H'	DIA 'J' MAX	'K' PCD
BL/D2233/19	4440-99-225-3203	RXDB1MBSG	63	39	20	M20x1.5-6g	5 GRM	7 LITRES	24	1.5	28	4	19
BL/D2233/20	4440-99-225-3204	RXDB2MBSG	115	39	20	M20x1.5-6g	10 GRM	14 LITRES	24	1.5	28	4	19
BL/D2233/21	4440-99-225-3205	RXDB3MBSG	55	56	26	M32x1.5-6g	20 GRM	28 LITRES	37	1.5	41	4.9	28.5
BL/D2233/22	4440-99-225-3206	RXDB4MBSG	106	56	26	M32x1.5-6g	40 GRM	56 LITRES	37	1.5	41	4.9	28.5
BL/D2233/23	4440-99-225-3207	RXDB5MBSG	104	63	26	M39x1.5-6g	60 GRM	84 LITRES	N.A.	N.A.	52	4.9	40.6
BL/D2233/24	4440-99-225-3208	RXDB6MBSG	194	63	26	M39x1.5-6g	100 GRM	140 LITRES	N.A.	N.A.	52	4.9	40.6
BL/D2233/25	4440-99-225-3209	RXDB7MBSG	219	77	26	M52x1.5-6g	200 GRM	280 LITRES	N.A.	N.A.	64	6.4	44.5
BL/D2233/26	4440-99-225-3210	RXDB8MBSG	324	77	26	M52x1.5-6g	300 GRM	420 LITRES	N.A.	N.A.	64	6.4	44.5
BL/D2233/27	4440-99-225-3211	RXDB9MBSG	334	90	26	M60x1.5-6g	400 GRM	560 LITRES	N.A.	N.A.	78	6.4	50.8

NOTES

- FILLED WITH BEADED SILICA GEL DESICCANT TO BS7554.
- CONFORMS TO DEF STAN 44-2.
- MOUNTING THREAD IS NATURAL FINISH FOR R.F. SCREENING CONTINUITY.
- PACKAGED FOR A SHELF LIFE OF 5 YEARS WHEN STORED IN TEMPERATE CONDITIONS.
- SEE SHEET 1 FOR BL/D2233/01-09, SHEET 2 FOR BL/D2233/10-18 & SHEET 4 FOR BL/D2233/28-36.

ANODIC COLOUR CHANGED	5932	9	10/4/02
REDRAWN	4583	8	18/10/94
CHANGE	MOD No	ISSUE	DATE

MATERIAL ALUM ALLOY	PROTECTIVE FINISH ANODISED BLACK (THR'D NATURAL)	TOLERANCES UNLESS STATED $\pm 1.0$	BROWNELL LIMITED LONDON NW10	CUSTOMER REF.	DRAWN LJ	CHECKED K
EST. WT. —		DIMNS IN <del>INS</del> /mm SCALE (ORIGINAL) N.T.S	TITLE DESICCANT CONTAINER DEHUMIDIFIER (BREATHING TUBE - R.F. SCREENED)	DRAWING No SHT 3 OF 4 SHTS BL/D 2233/19-27 INST		