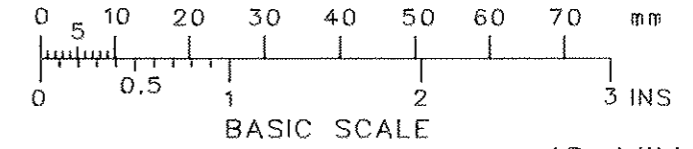


DRG No SHT 2 OF 4
BL/D 2233/10-18 INST

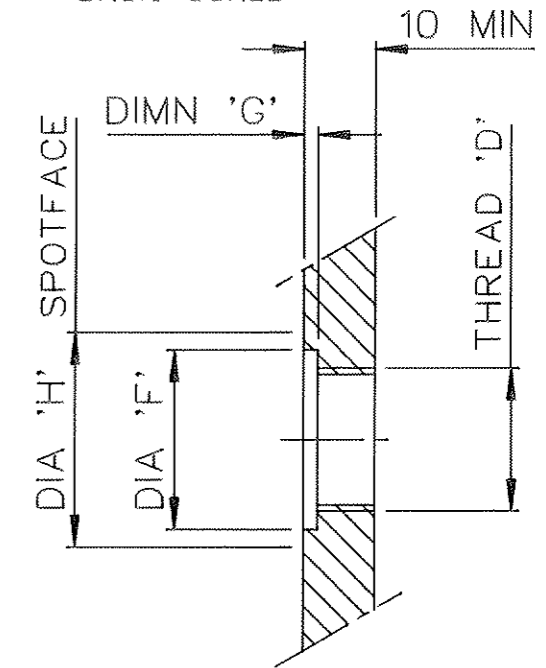
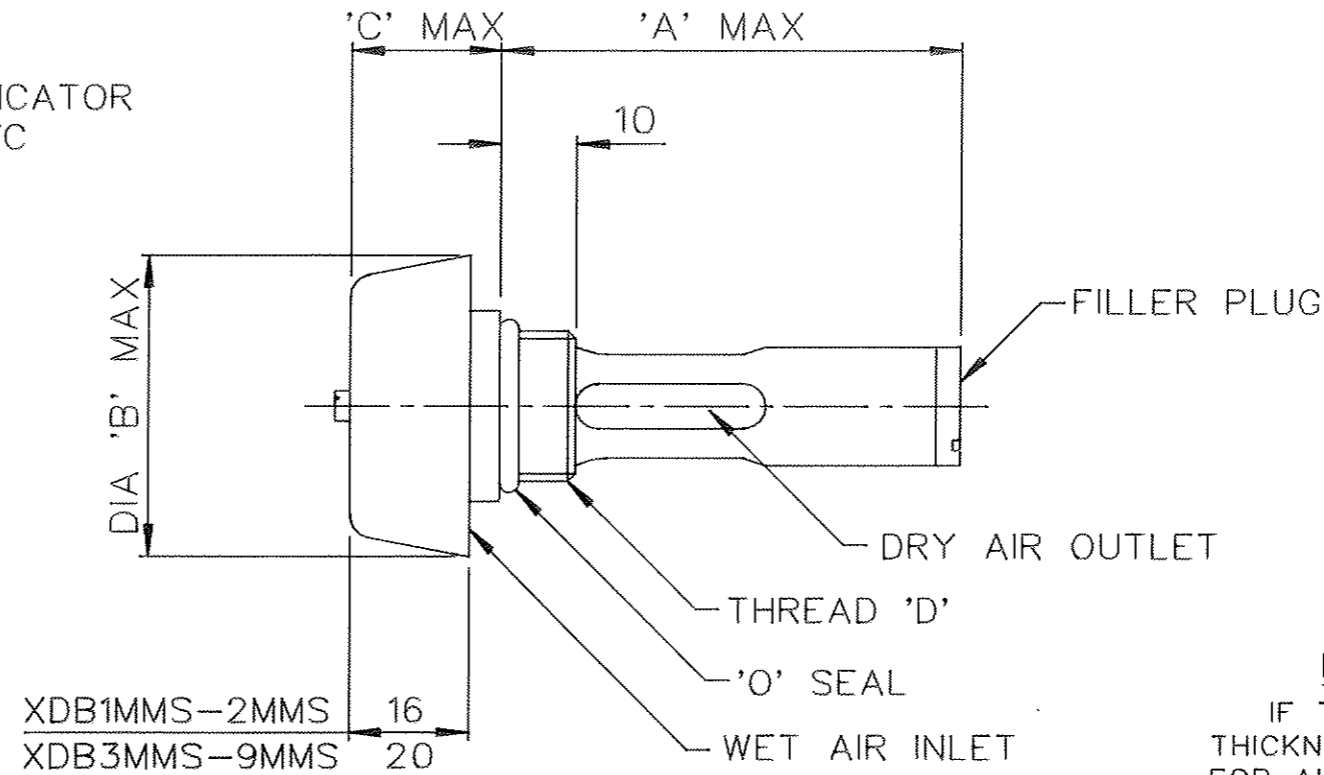
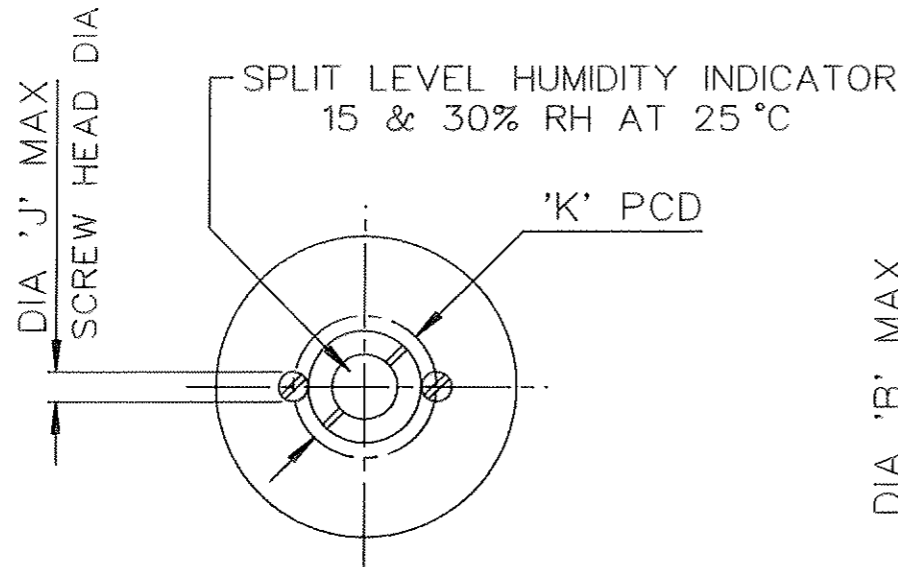
USED ON

REMOVE ALL BURRS & SHARP EDGES

DO NOT SCALE - ASK



THIRD ANGLE PROJECTION



PANEL MOUNTING DETAILS

IF THE PANEL IS OF INSUFFICIENT THICKNESS SEE DEF STAN 44-2 PART 1 FOR ALTERNATIVE METHOD OF MOUNTING

THIS DESIGN IS THE PROPERTY OF BROWNELL LTD AND MAY NOT BE COPIED OR REPRODUCED WITHOUT THEIR PRIOR WRITTEN PERMISSION

DRG No	NSN	STYLE	'A' MAX	DIA 'B' MAX	'C' MAX	THREAD 'D'	NOMINAL CONTENTS	NOM. WKG. CAPACITY	DIA 'F'	DIMN 'G'	DIA 'H'	DIA 'J' MAX	'K' PCD
BL/D2233/10	4440-99-225-3274	XDB1MMS	63	39	20	M20x1.5-6g	5 GRM	7 LITRES	24	1.5	28	4	19
BL/D2233/11	4440-99-225-3275	XDB2MMS	115	39	20	M20x1.5-6g	10 GRM	14 LITRES	24	1.5	28	4	19
BL/D2233/12	4440-99-225-3276	XDB3MMS	55	56	26	M32x1.5-6g	20 GRM	28 LITRES	37	1.5	41	4.9	28.5
BL/D2233/13	4440-99-225-3277	XDB4MMS	106	56	26	M32x1.5-6g	40 GRM	56 LITRES	37	1.5	41	4.9	28.5
BL/D2233/14	4440-99-225-3278	XDB5MMS	104	63	26	M39x1.5-6g	60 GRM	84 LITRES	N.A.	N.A.	52	4.9	40.6
BL/D2233/15	4440-99-225-3279	XDB6MMS	194	63	26	M39x1.5-6g	100 GRM	140 LITRES	N.A.	N.A.	52	4.9	40.6
BL/D2233/16	4440-99-225-3280	XDB7MMS	219	77	26	M52x1.5-6g	200 GRM	280 LITRES	N.A.	N.A.	64	6.4	44.5
BL/D2233/17	4440-99-225-3281	XDB8MMS	324	77	26	M52x1.5-6g	300 GRM	420 LITRES	N.A.	N.A.	64	6.4	44.5
BL/D2233/18	4440-99-225-3282	XDB9MMS	334	90	26	M60x1.5-6g	400 GRM	560 LITRES	N.A.	N.A.	78	6.4	50.8

NOTES

- FILLED WITH BEADED MOLECULAR SIEVES DESICCANT TO BS7444.
- CONFORMS TO DEF STAN 44-2.
- PACKAGED FOR A SHELF LIFE OF 5 YEARS WHEN STORED IN TEMPERATE CONDITIONS.
- SEE SHEET 1 FOR BL/D2233/01-09, SHEET 3 FOR BL/D2233/19-27 & SHEET 4 FOR BL/D2233/28-36.

ANODIC COLOUR CHANGED	5932	9	10/4/02
REDRAWN	4583	8	18/10/94
CHANGE	MOD No	ISSUE	DATE

MATERIAL ALUM ALLOY	PROTECTIVE FINISH ANODISED BLACK	TOLERANCES UNLESS STATED ±1.0	BROWNELL LIMITED LONDON NW10	CUSTOMER REF.	DRAWN LJ	CHECKED K
EST. WT. —		DIMNS IN INS /mm SCALE (ORIGINAL) N.T.S	TITLE DESICCANT CONTAINER DEHUMIDIFIER (BREATHING TUBE)	DRAWING No SHT 2 OF 4 SHTS BL/D 2233/10-18 INST		