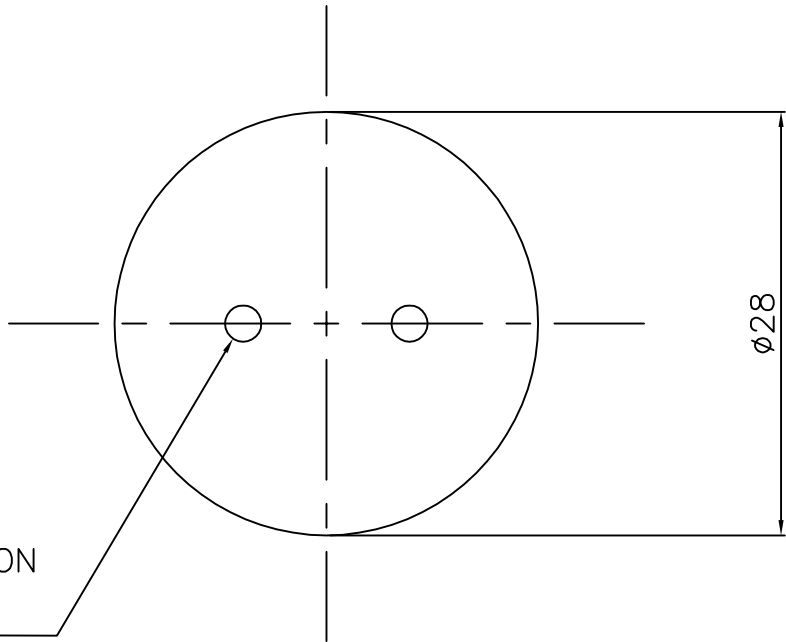


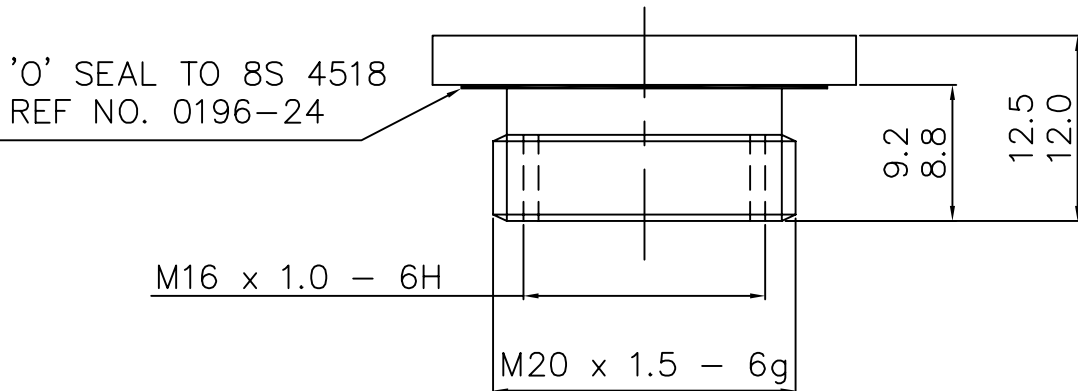
DRG No
BL/D2049 INST
USED ON -----

REMOVE ALL SHARP EDGES
UNLESS SPECIFIED

THIRD ANGLE PROJECTION
DO NOT SCALE - ASK



2 HOLES
x 2.65/2.35 DIA
x 3.0/2.5 DEEP ON
12.1/11.9 PCD





'O' SEAL TO 8S 4518
REF NO. 0196-24

M16 x 1.0 - 6H

M20 x 1.5 - 6g

THIS DESIGN IS THE PROPERTY OF BROWNELL LTD, AND MAY NOT BE COPIED OR REPRODUCED WITHOUT THEIR PRIOR WRITTEN PERMISSION

MATERIAL A. ALLOY BS 1476	PROTECTIVE FINISH ANODISE TO DEF STAN 03-25 DYE BLACK	ANODIC COLOUR CHANGED METRIC SYMBOL DELETED	5893	L	28.01.02
		BROWNELL DELETED	4308	K	14.07.93
		REDRAWN	2363	J	08.09.82
EST. WT. -----	SURFACE ROUGHNESS	CHANGE	MOD No	ISSUE	DATE
DIMS IN MM	-----	TOLERANCES AS STARTED	LINEAR	ANGULAR	
SCALE 2:1			-----	-----	
 RED DOT = ORIGINAL  BLACK DOT = COPY	BROWNELL LTD LONDON NW10 7XF		DRAWN PL	CHECKED	
			TITLE DESICCATOR MOUNTING PLUG		DRAWING No. BL/D2049 INST