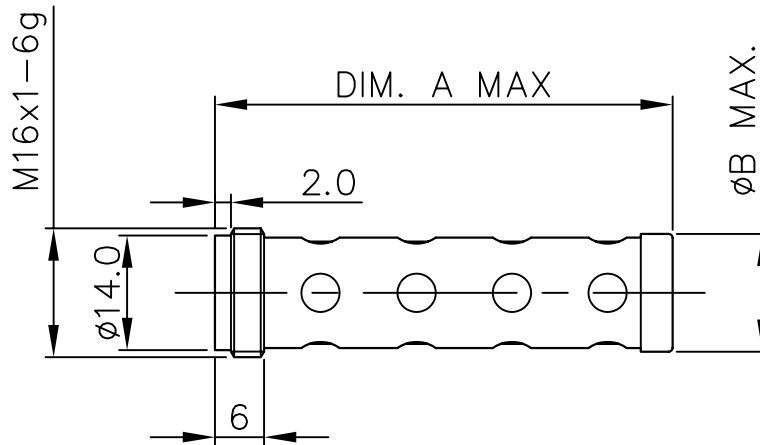


DRG No
BL/D1397/01-08 INST



THIRD ANGLE PROJECTION

USED ON _____



THIS DESIGN IS THE PROPERTY OF BROWNELL LTD. AND MAY NOT BE COPIED OR REPRODUCED WITHOUT THEIR PRIOR WRITTEN PERMISSION

DRG. No.	NATO STOCK No.	STYLE	DIMN A	DIMN B	DESICCANT
BL/D1397/01	4440-99-015-1390	DT1M	33.0	15.0	BEADED SILICA GEL
BL/D1397/02	4440-99-015-1391	DT2M	58.0	15.0	
BL/D1397/03	4440-99-015-1392	DT3M	83.0	16.5	
BL/D1397/04	4440-99-015-1393	DT4M	108.0	16.5	
BL/D1397/05	4440-99-021-4858	DT1MMS	33.0	15.0	MOLECULAR SIEVES
BL/D1397/06	4440-99-421-8762	DT2MMS	58.0	15.0	
BL/D1397/07		DT3MMS	83.0	16.5	
BL/D1397/08		DT4MMS	108.0	16.5	

MATERIAL	PROTECTIVE FINISH				
ALUMINIUM ALLOY	ANODISED & DYED BLACK				
EST. WT. _____	SURFACE TEXTURE	REDRAWN	6343	15	10-11-09
DIMS IN mm		CHANGE	MOD No	ISSUE	DATE
SCALE NTS		TOLERANCES	±0.4		
 RED DOT = ORIGINAL  BLACK DOT = COPY	BROWNELL LTD LONDON NW10 7XF		DRAWN PK	CHECKED	
TITLE DESICCANT CONTAINER DEHUMIDIFIER (TUBULAR)		DRAWING No. BL/D1397/01-08 INST			