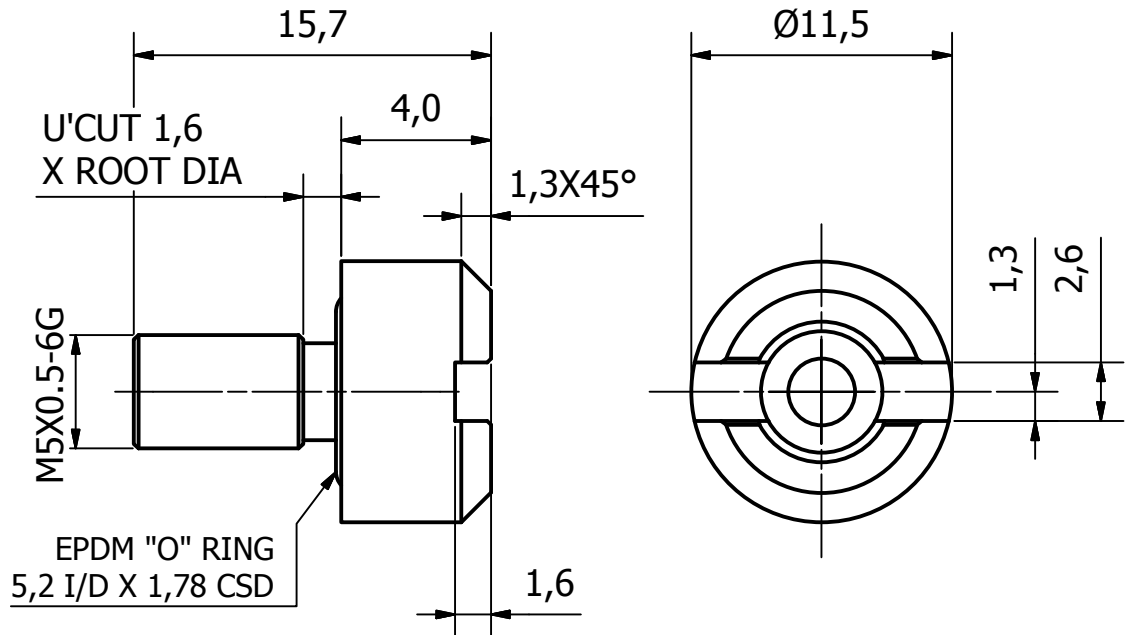


DRG No
BL/D12424 INST



REMOVE ALL SHARP EDGES
UNLESS SPECIFIED

DO NOT SCALE - ASK

USED ON -----



THIS DESIGN IS THE PROPERTY OF BROWNELL LTD, AND MAY NOT BE COPIED OR REPRODUCED WITHOUT THEIR PRIOR WRITTEN PERMISSION

| | | | | | |
|--|--|-----------------|-------------------------------|-------------|--------------------------------------|
| MATERIAL 316 STAINLESS STEEL IAW BS EN 10088-3 | PROTECTIVE FINISH NATURAL | | | | |
| | | ORIGINAL | | 1 | 24/11/16 |
| | | CHANGE | MOD No | ISSUE | DATE |
| EST. WT. --- | THIRD ANGLE PROJECTION | | | | |
| DIMS IN mm | TOLERANCES UNLESS OTHERWISE STATED | SURFACE TEXTURE | ANGULAR DIMS | LINEAR DIMS | |
| SCALE 5:1 | | ----- | ----- | ----- | |
|  RED DOT = ORIGINAL  BLACK DOT = COPY | BROWNELL LTD LONDON NW10 7XF | | DRAWN RB | CHECKED | |
| | | | TITLE MINI BREATHER | | DRAWING No. BL/D12424 INST |