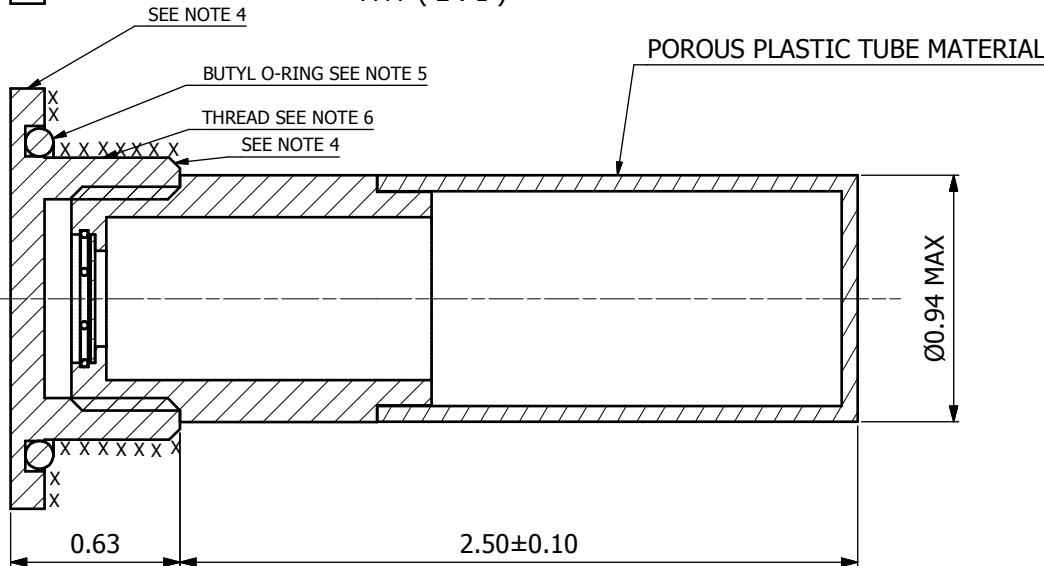
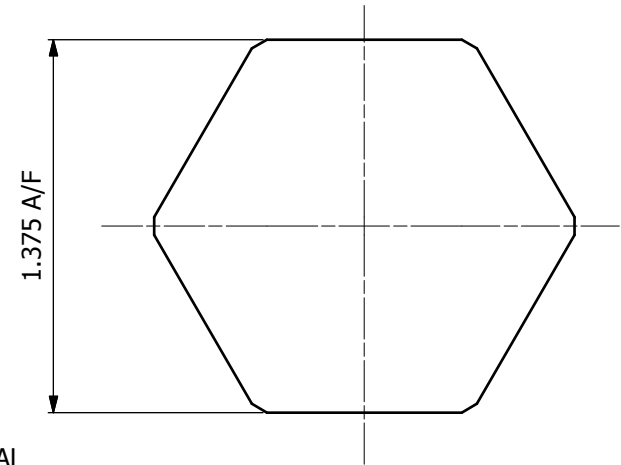
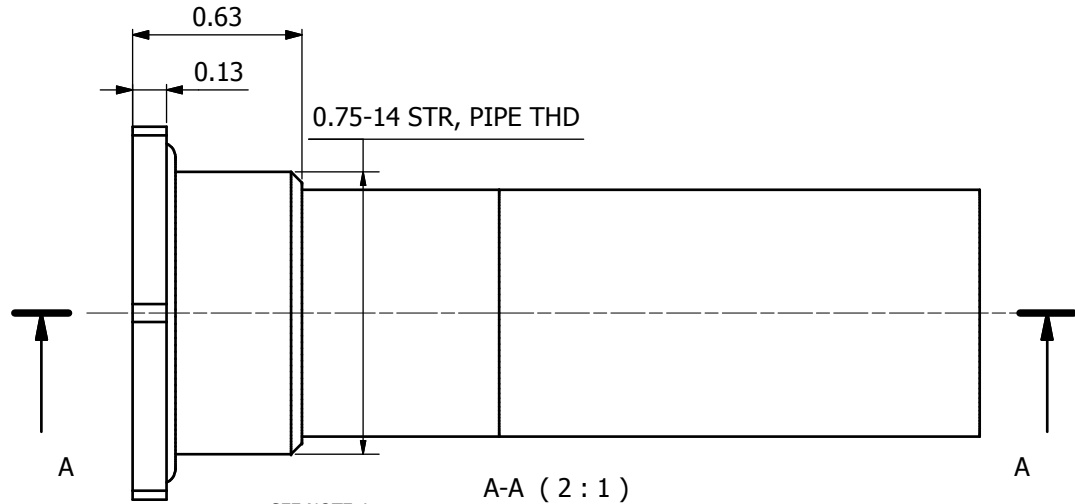


THIS DRAWING IS THE PROPERTY OF BROWNELL LTD. AND MAY NOT BE COPIED OR REPRODUCED WITHOUT THEIR PRIOR WRITTEN PERMISSION

DRG No BL/D11842 INST REMOVE ALL SHARP EDGES UNLESS SPECIFIED THIRD ANGLE PROJECTION DO NOT SCALE - ASK  
 USED ON -----



**NOTE:**

1. FILLED WITH 3A MOLECULAR SIEVE DESICCANT.
2. DESICCATOR SHALL BE INDIVIDUALLY SEALED IN A POLYTHENE BAG THEN ASSEMBLY OVERPACKED IN RESEALABLE METAL FOIL.
3. FILLED WITH APPROX 20 GRAMS OF DESICCANT.
- 4.
- 4.1 EXTERNAL SURFACE SHALL BE BLACK ANODIZE PER MIL-A-8625 TYPE II, CLASS 2 WATERSEALED 50±5 MICRON.
- 4.2 AFTER ADODIZE PROCESS AREAS WITH "X" WILL BE MACHINED AND CONVERSION COATING APPLIED PER NOTE 4.3
- 4.3 CONVERSION COATING PER MIL-DTL-5541 TYPE II CLASS 3 FOR ALL ALUMINIUM ALLOY PARTS.
5. BUTYL O-RING Manufacturer BL/D11860.
6. Thread 0.75-14 STR. PIPE THD. IAW PPP-P-420, CLASS. D.

ADAPTOR PART	6616	6	14/08/14
ANNO/NOTES	6612	5	06/08/14
ANNO/NOTES	6609	4	30/07/14
DIM/NOTES	6608	3	29/07/14
DESCRIPTION	6602	2	15/07/14
ORIGINAL		1	02/07/14
CHANGE	MOD No	ISSUE	DATE

MATERIAL ALUMINIUM ALLOY	PROTECTIVE FINISH ANODISE TO DEF STAN 03.25 AND DYE BLACK	UNLESS OTHERWISE STATED	ANGULAR DIMS ± 0.5°	LINEAR DIMS 0 = ± 0.020 0.0 = ± 0.010 0.00 = ± 0.002
		FRACTIONAL DIMENSIONS = 0.020		
EST. WT.	-----	DIMENSIONS IN in/mm		ins
		SCALE (ORIGINAL)		1:1

**BROWNELL Ltd. LONDON NW10 7XF**  
 TITLE  
**R.F. SCREENED STATIC DESICCATOR**

RED DOT=ORIGINAL BLACK DOT=COPY	DRAWN AF	CHECKED
DRAWING NUMBER <b>BL/D11842 INST</b>		