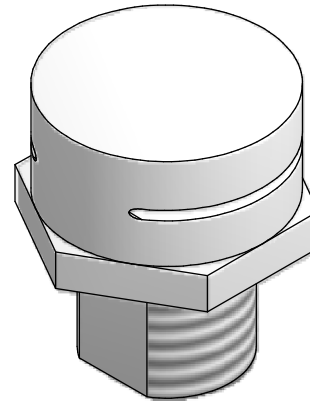
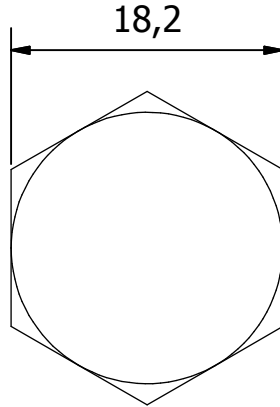


DRG No  
BL/D11640 INST

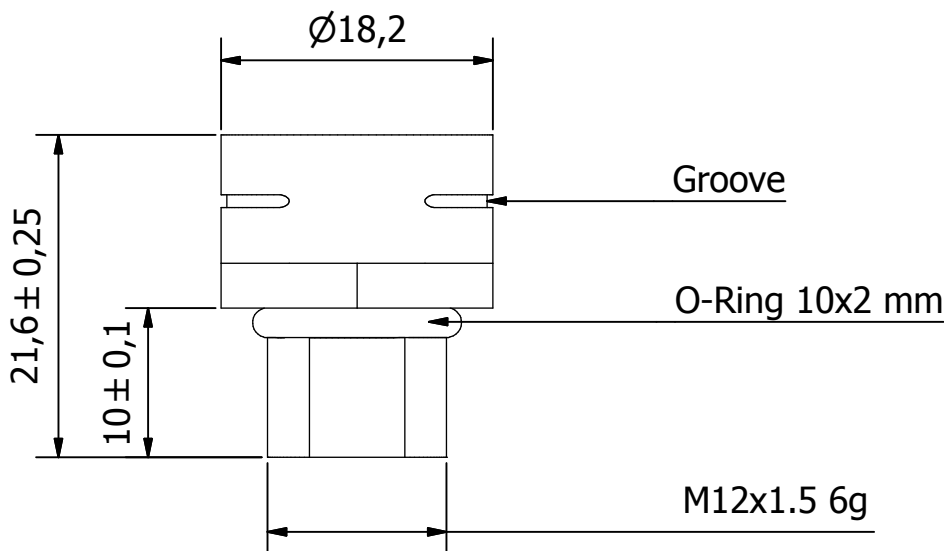
REMOVE ALL SHARP EDGES  
UNLESS SPECIFIED

DO NOT SCALE - ASK


USED ON



(2:1)



THIS DESIGN IS THE PROPERTY OF BROWNELL LTD, AND MAY NOT BE COPIED OR REPRODUCED WITHOUT THEIR PRIOR WRITTEN PERMISSION

MATERIAL ALUMINIUM ZINC ALLOY	PROTECTIVE FINISH NICKEL COPPER				
		ORIGINAL		1	22/08/13
EST. WT.	THIRD ANGLE PROJECTION	CHANGE	MOD No	ISSUE	DATE
DIMS IN SCALE	TOLERANCES UNLESS OTHERWISE STATED	SURFACE TEXTURE 3.2 µ m(N8)	ANGULAR DIMS ± 0.5°	LINEAR DIMS 0 = ±0.5 0.0 = ±0.25 0.00 = ±0.05	
 RED DOT = ORIGINAL BLACK DOT = COPY	<b>BROWNELL LTD</b> LONDON NW10 7XF		DRAWN AA	CHECKED	
TITLE IMMERSION BREATHER			DRAWING No. BL/D11640 INST		