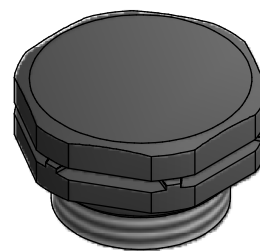


DRG No
BL/D11534 INST

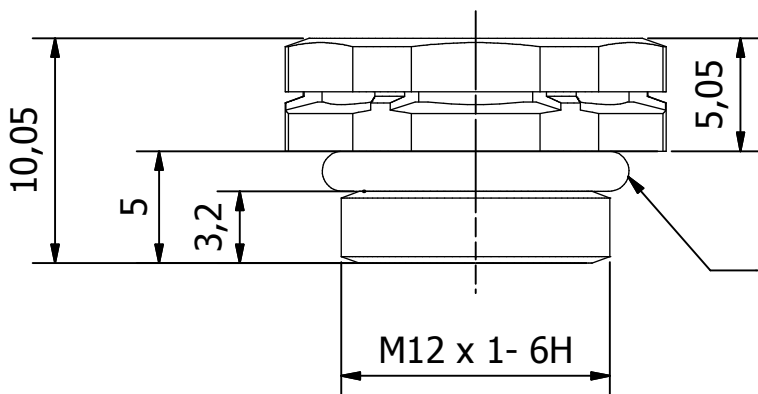
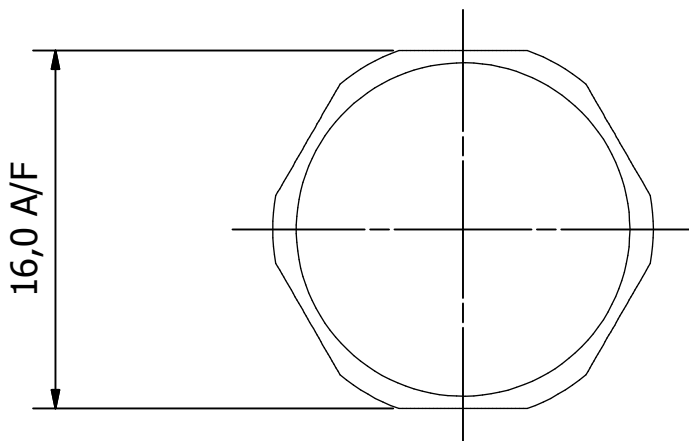
REMOVE ALL SHARP EDGES
UNLESS SPECIFIED

DO NOT SCALE - ASK

USED ON _____



ISOMETRIC VIEW
SCALE 2:1



O-RING & U' CUT

THIS DESIGN IS THE PROPERTY OF BROWNELL LTD, AND MAY NOT BE COPIED OR REPRODUCED WITHOUT THEIR PRIOR WRITTEN PERMISSION

MATERIAL	PROTECTIVE FINISH				
PLASTIC	DYED BLACK SMOOTH FINISH				
			6545	2	09.09.13
		ORIGINAL		1	19.02.13
EST. WT. _____	THIRD ANGLE PROJECTION	CHANGE	MOD No	ISSUE	DATE
DIMS IN mm	TOLERANCES UNLESS OTHERWISE STATED	SURFACE TEXTURE	ANGULAR DIMS	LINEAR DIMS	
SCALE 3:1		3.2 μ m(N8)	± 0.5°	0 = ±0.5 0.0 = ±0.25 0.00 = ±0.05	
RED DOT = ORIGINAL BLACK DOT = COPY	BROWNELL LTD LONDON NW10 7XF		DRAWN AA	CHECKED	

TITLE
BREATHHER HEAD

DRAWING No.
BL/D11534 INST