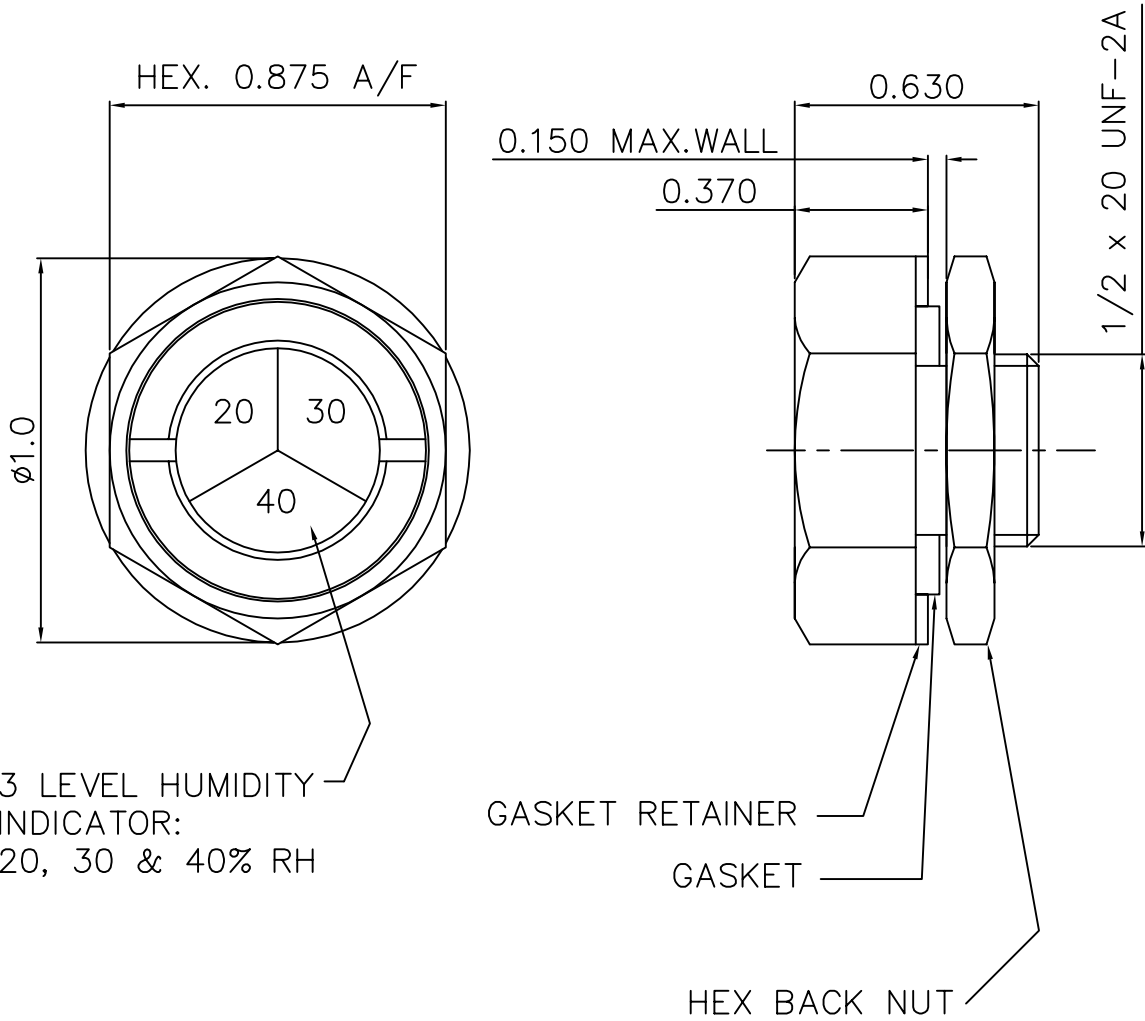


DRG No
BL/D11174 INST
USED ON -----

REMOVE ALL SHARP EDGES
UNLESS SPECIFIED

THIRD ANGLE PROJECTION
DO NOT SCALE - ASK




3 LEVEL HUMIDITY
INDICATOR:
20, 30 & 40% RH

GASKET RETAINER
GASKET

HEX BACK NUT

MAXIMUM INTERNAL PRESSURE: 20 PSI

THIS DESIGN IS THE PROPERTY OF BROWNELL LTD, AND MAY NOT BE COPIED OR REPRODUCED WITHOUT THEIR PRIOR WRITTEN PERMISSION

MATERIAL HEX ALUMINIUM ALLOY BAR BS1474 6082T6 BS4300/5 2011T3	PROTECTIVE FINISH BLACK ANODISED AND ALOCROM 1200 TO DEF STAN 03-18 FOR RF SCREENING			
EST. WT. -----	SURFACE ROUGHNESS	CHANGE	MOD No	ISSUE
DIMS IN INS SCALE 2:1	-----	TOLERANCES (UNLESS STATED)	LINEAR ±0.020	ANGULAR ±0.5°
 RED DOT = ORIGINAL BLACK DOT = COPY	BROWNELL LTD LONDON NW10 7XF		DRAWN AM	CHECKED
TITLE HUMIDITY INDICATOR PLUG (R.F. SCREENED)		DRAWING No. BL/D11174 INST		