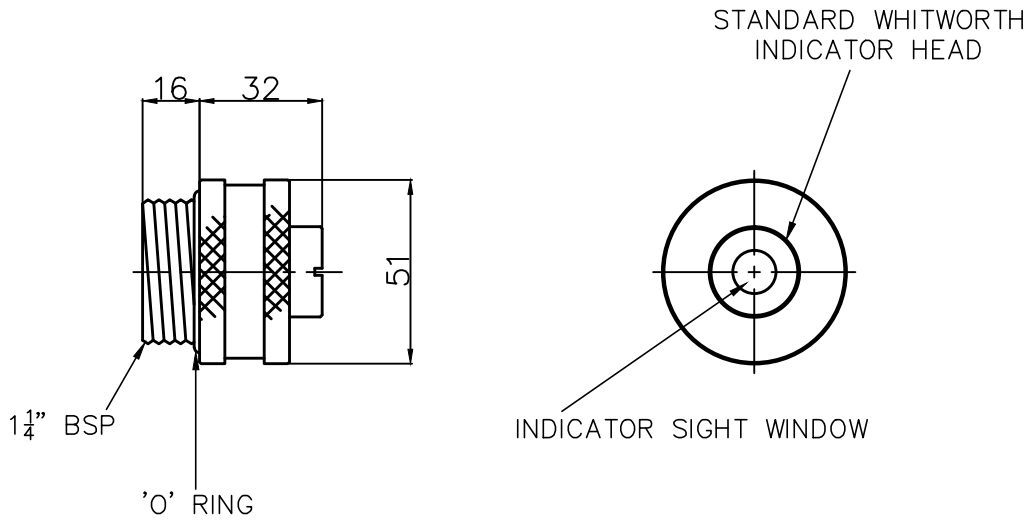


THIS DESIGN IS THE PROPERTY OF BROWNELL LTD, AND MAY NOT BE COPIED OR REPRODUCED WITHOUT THEIR PRIOR WRITTEN PERMISSION

DRG No  
BL/D 1099



THIRD ANGLE PROJECTION

USED ON



NOTE:

1. REMOVE INDICATOR HEAD TO REACTIVATE.
2. REMOVE CIRCLIP & FILTER TO RECHARGE.
3. INDICATOR SIGHT WINDOW TO CONTAIN A PINK COMPARATOR RING.
4. CONTAINS NOMINAL 25 GRAMS OF SILICA GEL DESICCANT

MATERIAL ALUMINIUM	PROTECTIVE FINISH ANODISE & DYE BLACK	ADDED DESICCANT CAPACITY	6636	4	05/11/14
		REDRAWN		3	09/08/10
		NOTE 3 ADDED	1006	2	19/10/66
EST. WT.	SURFACE ROUGHNESS	CHANGE	MOD No	ISSUE	DATE
DIMS IN mm		TOLERANCES ±0.4 UNLESS OTHERWISE STATED			
SCALE 1:2					
 RED DOT = ORIGINAL  BLACK DOT = COPY	<b>BROWNELL LTD</b> LONDON NW10 7XF		DRAWN AF	CHECKED	
TITLE DESICCANT CONTAINER DEHUMIDIFIER			DRAWING No. BL/D 1099		