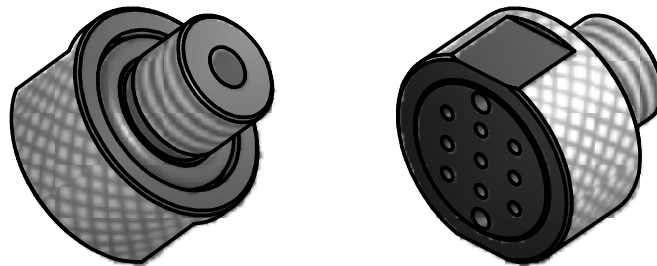
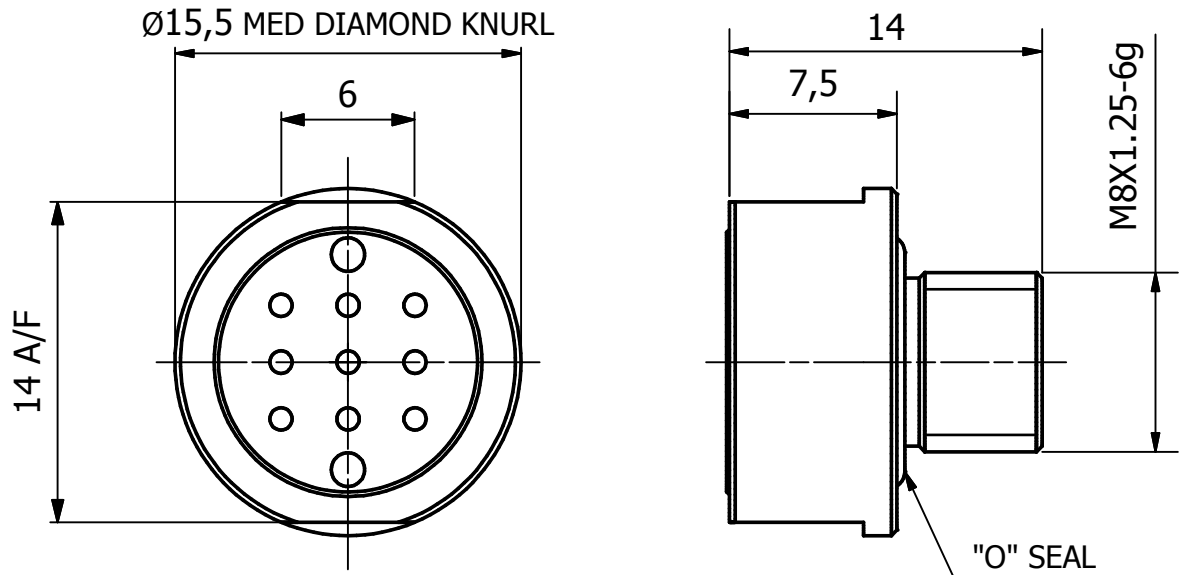


DRG No  
BLD10693 INST

REMOVE ALL SHARP EDGES  
UNLESS SPECIFIED


DO NOT SCALE - ASK

USED ON



ISOMETRIC ( 2 : 1 )

THIS DESIGN IS THE PROPERTY OF BROWNELL LTD, AND MAY NOT BE COPIED OR REPRODUCED WITHOUT THEIR PRIOR WRITTEN PERMISSION

MATERIAL	PROTECTIVE FINISH				
ALUMINIUM ALLOY	ANODISED TO DEF STAN 03-25 & DYED BLACK				
EST. WT.	THIRD ANGLE PROJECTION	CHANGE	MOD No	ISSUE	DATE
DIMS IN mm	SURFACE TEXTURE	TOLERANCES : UNLESS OTHERWISE STATED			
SCALE 3:1					
 RED DOT = ORIGINAL BLACK DOT = COPY	<b>BROWNELL LTD</b> LONDON NW10 7XF	DRAWN JB	CHECKED	1	25/08/09
TITLE IMMERSION BREATHER		DRAWING No. BLD10693 INST			