

DRG No
BL/D10375 INST

USED ON -----

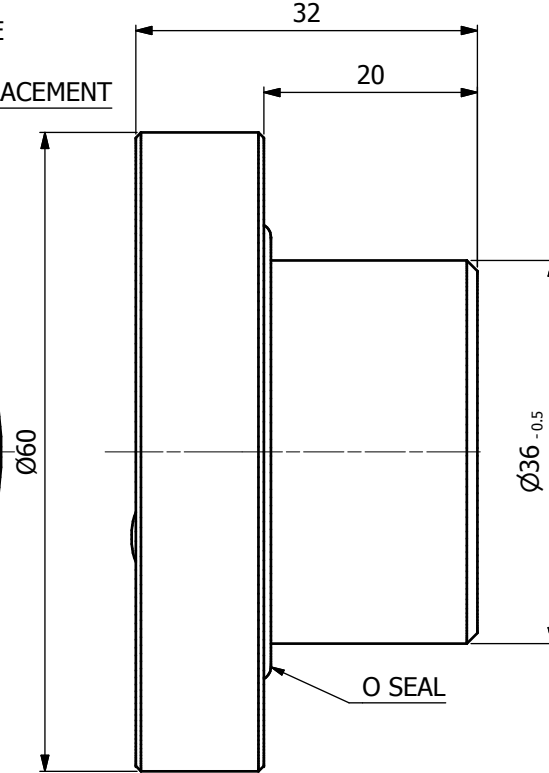
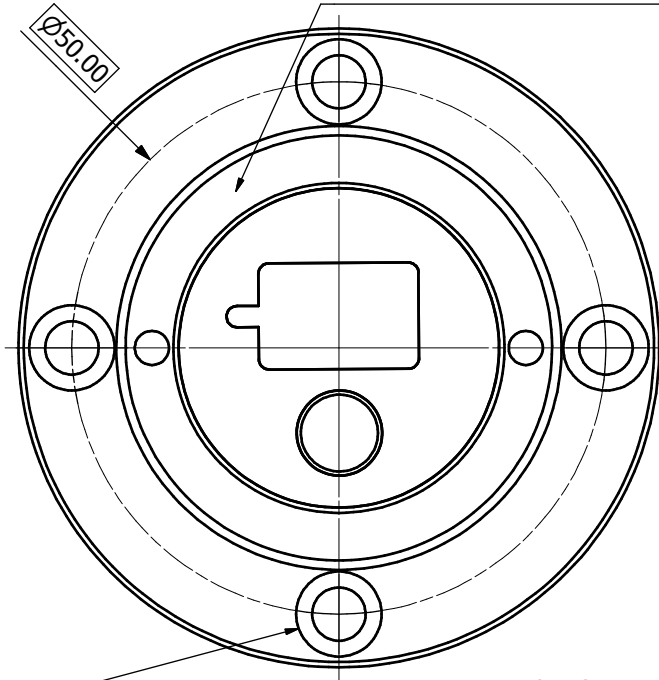
REMOVE ALL SHARP EDGES UNLESS SPECIFIED

THIRD ANGLE PROJECTION

DO NOT SCALE - ASK

REMOVABLE CENTRAL CORE
(L.H. THREAD) TO PROVIDE
ACCESS FOR BATTERY REPLACEMENT

THIS DRAWING IS THE PROPERTY OF BROWNELL LTD. AND MAY NOT BE COPIED OR REPRODUCED WITHOUT THEIR PRIOR WRITTEN PERMISSION



4 HOLES TO SUIT
M4 SOCKET HEAD CAP SCREWS
EQUISPACED

NOTES :-
INGRESS PROTECTION : IP67
OPERATING TEMPERATURE : -20°C to +60°C
STORAGE TEMPERATURE : -40°C to +80°C

POWER SOURCE : FLAT LITHIUM (COIN CELL) BATTERY

NOMINAL VOLTAGE : 3 VOLTS
NOMINAL CAPACITY : 200 mAh
ESTIMATED LIFE : 5 YEARS (BATTERY)

AVAILABLE OPTIONS : RFI

DISPLAY SEQUENCE for one press of the button

- 1) RELATIVE HUMIDITY - 5 TO 80% RH
- 2) TEMPERATURE - -20°C TO +60°C
- 3) DEWPOINT - -20°C TO +20°C

PERFORMANCE SPEC	6318	2	22-07-09
ORIGINAL		1	03-06-08
CHANGE	MOD No	ISSUE	DATE

MATERIAL ALUMINIUM ALLOY	PROTECTIVE FINISH ANODISED & DYED BLACK	TOLERANCES UNLESS OTHERWISE STATED	±0.5	TITLE BROWNELL Ltd. LONDON NW10 7XF ENVIRONMENTAL INDICATOR - FLANGED	DRAWN PK	CHECKED
		SURFACE ROUGHNESS	3.2µm (N8)			
EST. WT.	-----	DIMENSIONS IN in/mm	mm	DRAWING NUMBER	BL/D10375 INST	
		SCALE (ORIGINAL)	2:1			