

DRG No
BL/D10272 INST

REMOVE ALL SHARP EDGES UNLESS SPECIFIED

THIRD ANGLE PROJECTION

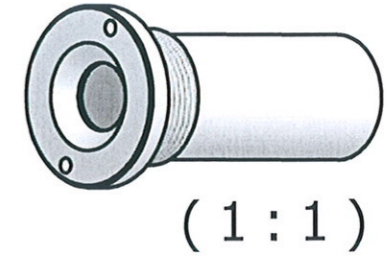
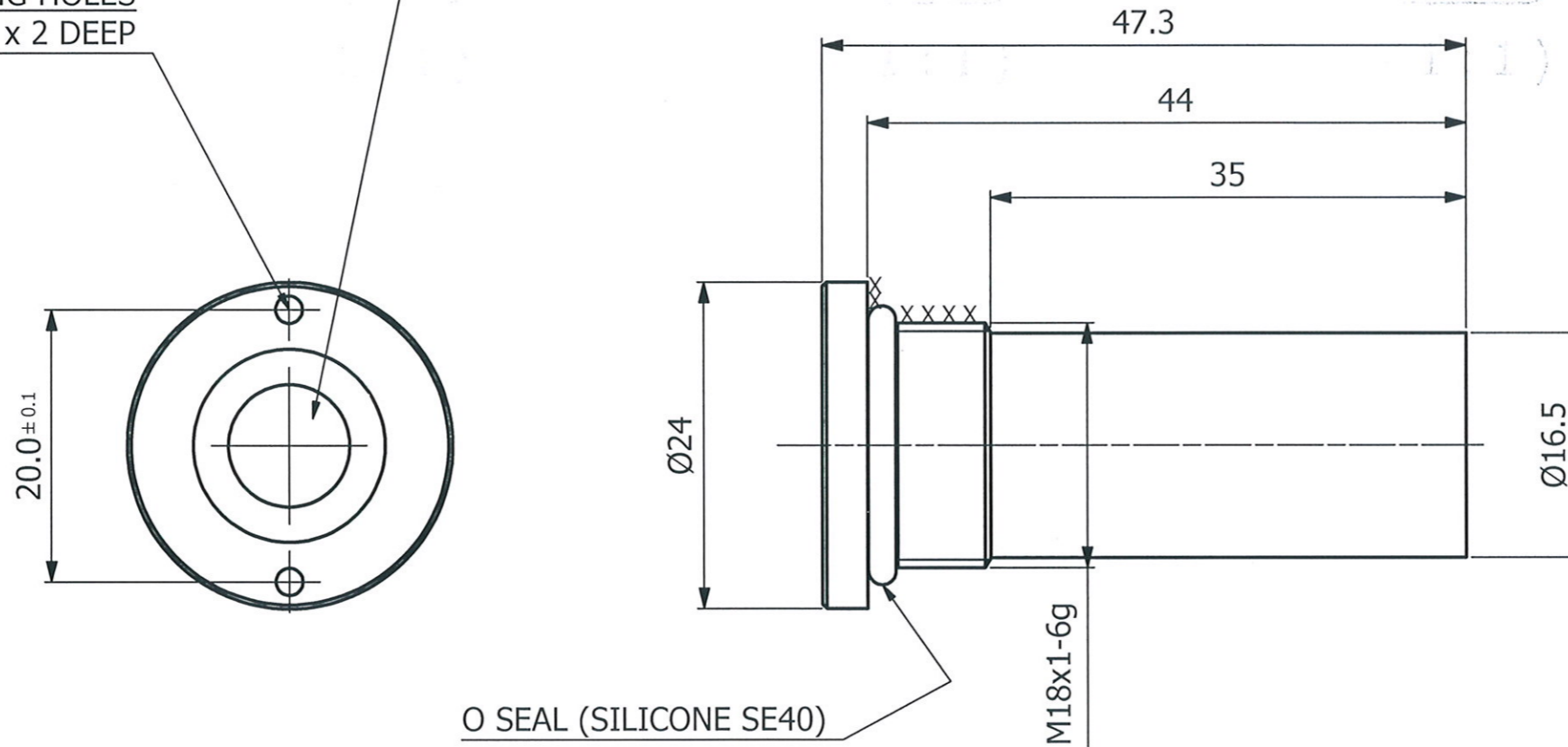
DO NOT SCALE - ASK

USED ON -----

THIS DRAWING IS THE PROPERTY OF BROWNELL LTD. AND MAY NOT BE COPIED OR REPRODUCED WITHOUT THEIR PRIOR WRITTEN PERMISSION

TOOLING HOLES
Ø2.0 x 2 DEEP

HUMIDITY INDICATOR
50% RH @ 25°C



PROTECTIVE FINISH :- (FOR R.F. SCREENING)

- 1) CONTAINER BODY IS ANODISED AND DYED BLACK.
- 2) SURFACES MARKED THUS XXXX (i.e. UNDERSIDE OF HEAD, M18 THREAD & UNDERCUT) ARE MACHINED AFTER ANODISING THEN ALOCHROMED FOR RF SCREENING CONTINUITY

ORIGINAL		1	03-03-08
CHANGE	MOD No	ISSUE	DATE

MATERIAL ALUMINIUM ALLOY		PROTECTIVE FINISH SEE NOTE	TOLERANCES UNLESS OTHERWISE STATED ±0.5
EST. WT.	-----		SURFACE ROUGHNESS 3.2µm
			DIMENSIONS IN in/mm mm
			SCALE (ORIGINAL) 2:1

BROWNELL Ltd. LONDON NW10 7XF

TITLE
**DESICCANT CONTAINER
DEHUMIDIFIER**

RED DOT=ORIGINAL BLACK DOT=COPY	DRAWN PK	CHECKED
DRAWING NUMBER BL/D10272 INST		