

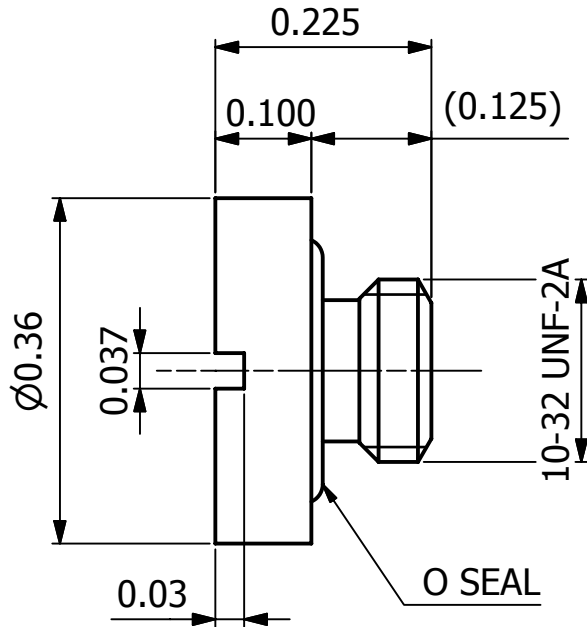
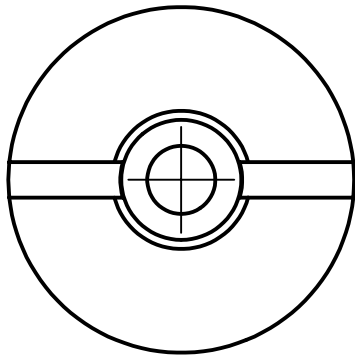
DRG No
BL/D10241 INST

USED ON -----

THIRD ANGLE PROJECTION



(1 : 1)



NOTE :-

MEMBRANE MATERIAL : MODIFIED ACRYLIC COPOLYMER, CAST ON A NONWOVEN POLYESTER SUPPORT. POST TREATED FOR HYDROPHOBICITY THROUGH UV/E BEAM POLYMERIZATION.

THIS DESIGN IS THE PROPERTY OF BROWNELL LTD, AND MAY NOT BE COPIED OR REPRODUCED WITHOUT THEIR PRIOR WRITTEN PERMISSION

MATERIAL ALUMINIUM ALLOY	PROTECTIVE FINISH ANODISE & DYE BLACK				
		ORIGINAL		1	29-11-07
EST. WT. ---	SURFACE TEXTURE	CHANGE	MOD No	ISSUE	DATE
DIMS IN ins	----	TOLERANCES : UNLESS OTHERWISE STATED	±0.005		
SCALE 5:1					
RED DOT = ORIGINAL BLACK DOT = COPY	BROWNELL LTD LONDON NW10 7XF		DRAWN PK	CHECKED	

TITLE
MINI BREATHER

DRAWING No.
BL/D10241 INST