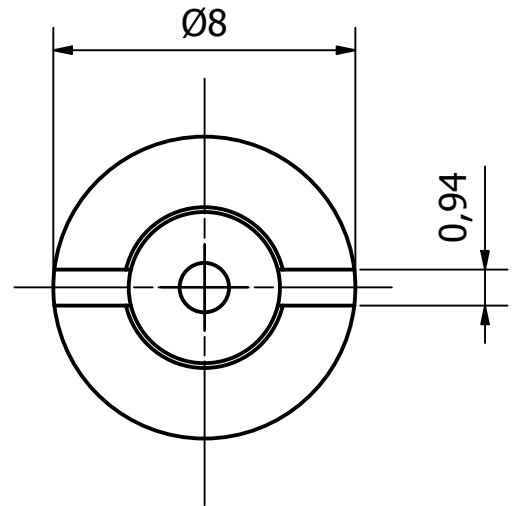
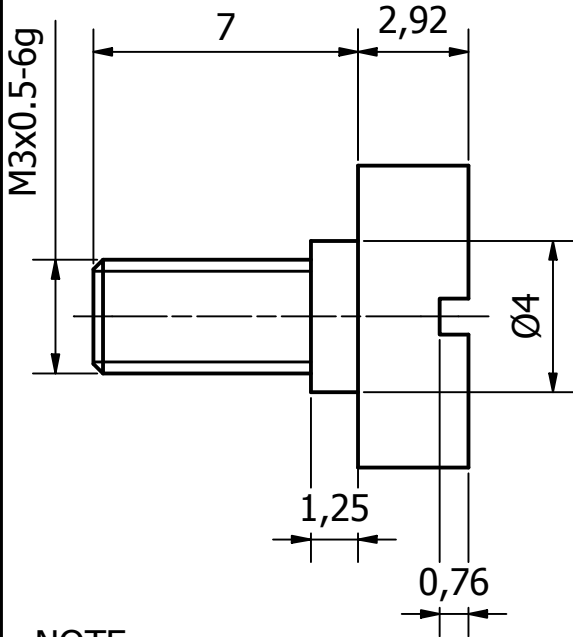


DRG No
BL/D9301 INST

REMOVE ALL SHARP EDGES
UNLESS SPECIFIED

DO NOT SCALE - ASK

USED ON





NOTE:

1) MATERIAL: BODY - BLACK 30% GLASS FILLED NYLON 66 .
FINISH: CLEAN AND FLASH FREE.

MEMBRANE - MODIFIED ACRYLIC COPOLYMER CAST ON A
NONWOVEN POLYESTER SUPPORT.
POST TREATED FOR HYDROPHOBICITY THROUGH UV/E BEAM
POLYMERIZATION.

2) MAXIMUM FITTING TORQUE = 0.08-0.10 N.m (THREAD CAN TWIST OR
SNAP AT 0.15-0.20 N.m.)
EXCEEDING THIS LIMIT COULD CAUSE FAILURE OF THE PRODUCT

THIS DESIGN IS THE PROPERTY OF BROWNELL LTD, AND MAY NOT BE COPIED OR REPRODUCED WITHOUT THEIR PRIOR WRITTEN PERMISSION

MATERIAL SEE NOTE	PROTECTIVE FINISH -				
		REDRAWN & NOTE ADDED	7093	2	12-04-19
		ORIGINAL		1	21/11/02
EST. WT.	THIRD ANGLE PROJECTION	CHANGE	MOD No	ISSUE	DATE
DIMS IN mm	TOLERANCES UNLESS OTHERWISE STATED	SURFACE TEXTURE	ANGULAR DIMS	LINEAR DIMS	
SCALE 5:1		3.2 µm(N8)	± 0.5°	0. = ±0.5	0.0 = ±0.25
 RED DOT = ORIGINAL  BLACK DOT = COPY	BROWNELL LTD LONDON NW10 7XF		DRAWN	CHECKED	
			DO		
TITLE MINI BREATHER (PLASTIC)			DRAWING No. BL/D9301 INST		