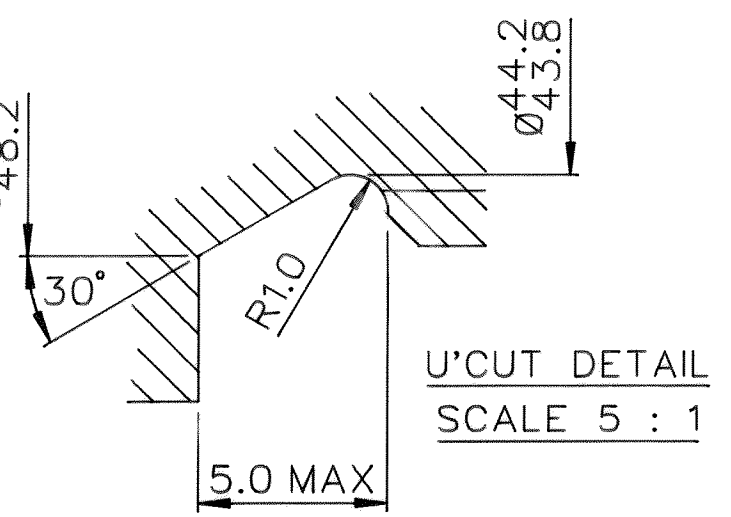
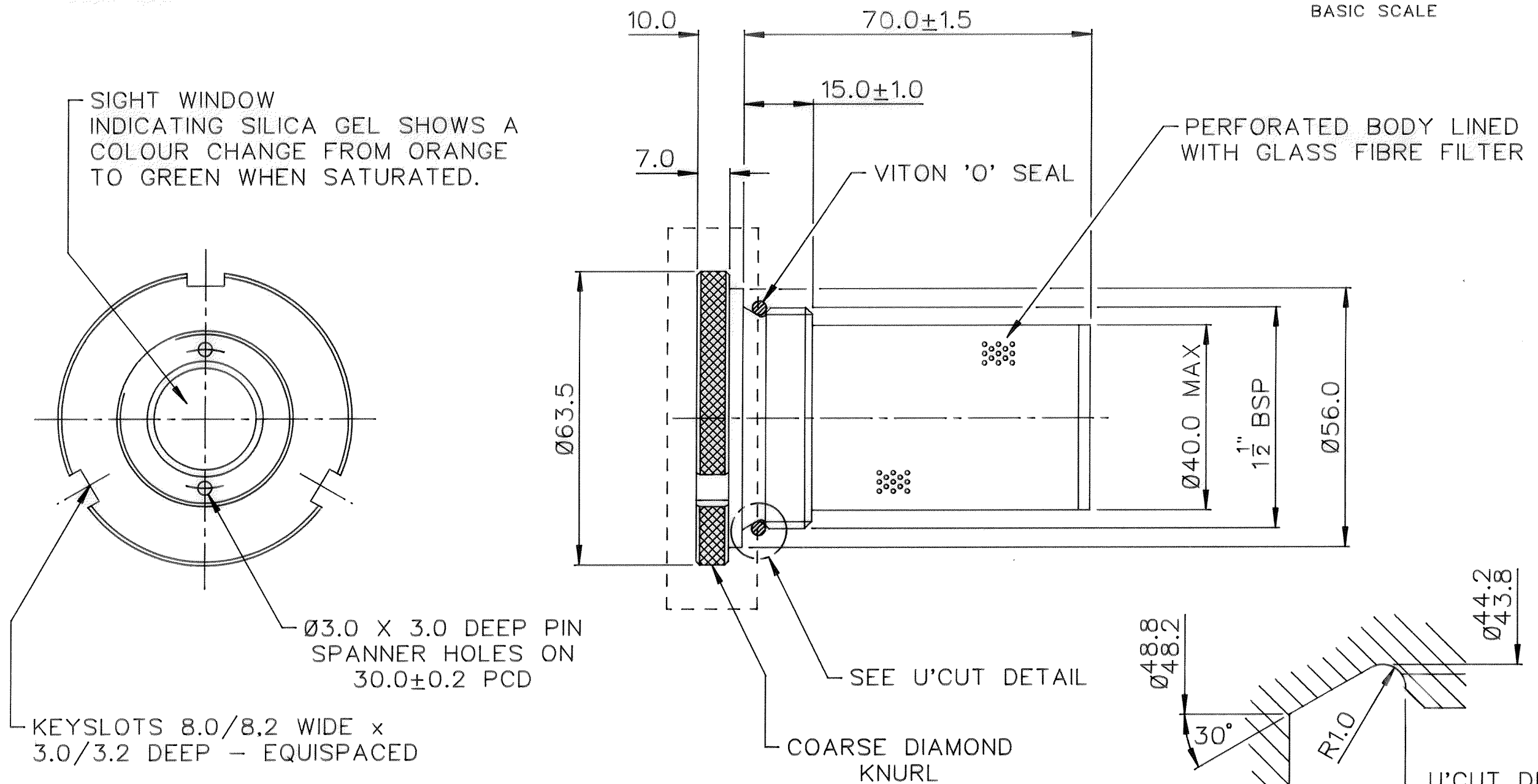
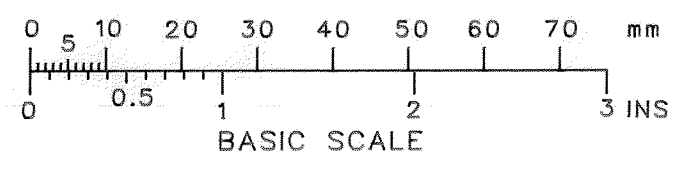


THIS DESIGN IS THE PROPERTY OF BROWNELL LTD AND MAY NOT BE COPIED OR REPRODUCED WITHOUT THEIR PRIOR WRITTEN PERMISSION

DRG No
BL/D 9299 INST
USED ON

THIRD ANGLE PROJECTION

REMOVE ALL SHARP EDGES UNLESS SPECIFIED DO NOT SCALE - ASK



NOTES

1. CONTAINS APPROX. 60g OF INDICATING BEADED SILICA GEL DESICCANT (ENVIROGEL).
2. DESICCATOR TO WITHSTAND HEATING TO 150 °C MAX (REACTIVATION).
3. SURFACE TEXTURE TO BE Ra 3.2µm MAX WITHIN THE DOTTED LINES AND Ra 6.3µm MAX ON OTHER SURFACES.
4. PACKAGED FOR A 5 YEAR SHELF LIFE.

		A	9/12/02
CHANGE	MOD No	ISSUE	DATE
		DRAWN LJ	CHECKED

MATERIAL	PROTECTIVE FINISH	TOLERANCES UNLESS STATED	±0.5	BROWNELL LIMITED LONDON NW10	CUSTOMER REF.	DRAWN	CHECKED
ALUM ALLOY	ANODISED			TITLE	DRAWING No	LJ	
EST. WT. —		DIMNS IN mm /mm (THR'D INS)		DESICCANT CONTAINER DEHUMIDIFIER (STATIC)	BL/D 9299 INST		
		SCALE (ORIGINAL)	1 : 1				