

THIS DRAWING IS THE PROPERTY OF BROWNELL LTD. AND MAY NOT BE COPIED OR REPRODUCED WITHOUT THEIR PRIOR WRITTEN PERMISSION

DRG No  
**BL/D5243 INST**

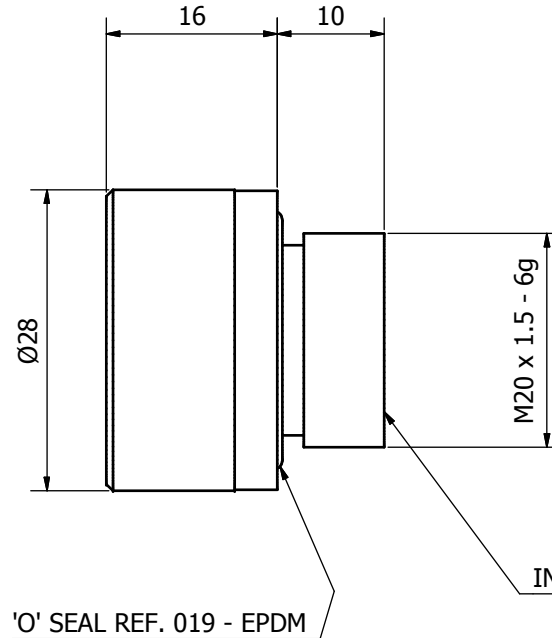
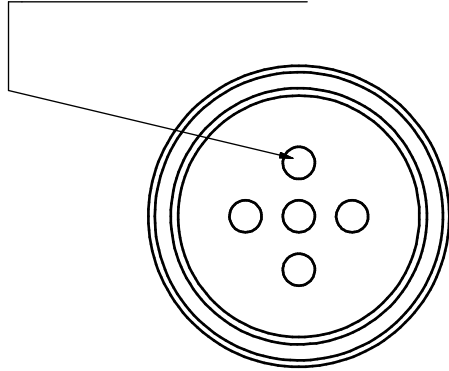
REMOVE ALL SHARP EDGES UNLESS SPECIFIED

THIRD ANGLE PROJECTION

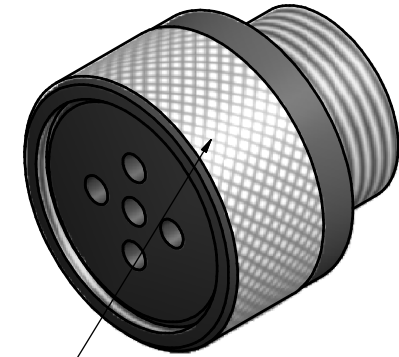
DO NOT SCALE - ASK

USED ON -----

BREATHER INLET HOLES



ISOMETRIC



MEDIUM DIAMOND KNURL

INSIDE - M16 x 1 - 6H - 7 mm DEEP

NOTES:

1. CONFORMS TO DEF. STAN 44-2 & 66-14 WHERE APPLICABLE.
2. BREATHER WILL WITHSTAND IMMERSION IN WATER TO A DEPTH OF 1 METRE FOR 30 MINUTES WITHOUT ANY WATER INGRESS. MAXIMUM TEMPERATURE DIFFERENCE BETWEEN WATER AND BREATHER: 15° C.
3. INTERNAL THREAD M16x1 TO SUIT BREATHER DESICCATOR PART No. BL/D5244.
4. FLOW RATES (NOMINAL):
 

10cc/MIN	AT	3.5 mm Wg
50cc/MIN	AT	11.0 mm Wg
100cc/MIN	AT	18.5 mm Wg
150cc/MIN	AT	29.0 mm Wg

O SEAL	6611	4	04/08/14
REDRAWN	6439	3	04/04/11
PICTORIAL CHANGE	3697	2	06/07/89
ORIGINAL		1	04/05/89
CHANGE	MOD No	ISSUE	DATE

MATERIAL <b>ALUMINIUM ALLOY</b>	PROTECTIVE FINISH <b>ANODISED BLACK</b>	UNLESS OTHERWISE STATED	ANGULAR DIMS ± 0.5°	LINEAR DIMS ± 0.5	<b>BROWNELL Ltd. LONDON NW10 7XF</b>	<input type="radio"/> RED DOT=ORIGINAL <input type="radio"/> BLACK DOT=COPY	DRAWN AF	CHECKED
		SURFACE ROUGHNESS	3.2 µm (N8)	TITLE <b>IMMERSIBLE BREATHER HEAD</b>			DRAWING NUMBER <b>BL/D5243 INST</b>	
EST. WT.	-----	DIMENSIONS IN in/mm	mm	SCALE (ORIGINAL)	2:1			