

THIS DRAWING IS THE PROPERTY OF BROWNELL LTD. AND MAY NOT BE COPIED OR REPRODUCED WITHOUT THEIR PRIOR WRITTEN PERMISSION

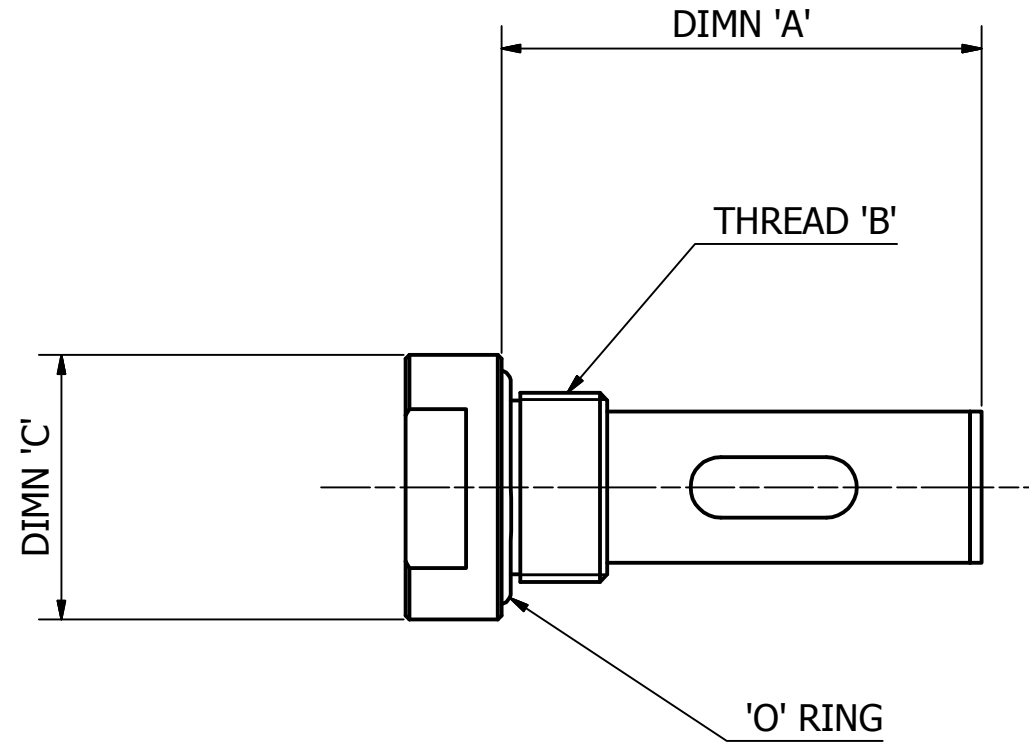
DRG No
BL/D5060/01-08 INST

USED ON -

REMOVE ALL SHARP EDGES UNLESS SPECIFIED

THIRD ANGLE PROJECTION

DO NOT SCALE - ASK



PART No	DESCRIPTION	NOMINAL DESICCANT WEIGHT	NOMINAL TOTAL WEIGHT	DIMN 'A'	THREAD 'B'	DIMN 'C'
BL/D5060/01	RIHP6M/RCT5MBSG	2g	26g	37.5	M20x1.5	28
BL/D5060/02	RIHP6M/RCT6MBSG	4g	31g	64	M20x1.5	28
BL/D5060/03	RIHP6M/RCT7MBSG	6g	37g	89	M20x1.5	28
BL/D5060/04	RIHP6M/RCT8MBSG	8g	42g	114	M20x1.5	28
BL/D5060/05	RIHP8M/RCT35MBSG	10g	55g	64	M25x1.5	35
BL/D5060/06	RIHP8M/RCT36MBSG	15g	72g	109	M25x1.5	35
BL/D5060/07	RIHP10M/RCT37MBSG	25g	112g	84	M35x1.5	45
BL/D5060/08	RIHP10M/RCT38MBSG	45g	145g	129	M35x1.5	45

CHANGE	MOD No	ISSUE	DATE
REDRAWN AND DIMN 'C' ADDED	6976	5	05/02/18
LINEAR TOLS & SURFACE FINISH IMPERIAL TO METRIC	6928	4	01/06/17
	6511	3	03/02/12
ORIGINAL	5438	2	12/04/99

MATERIAL ALUMINIUM ALLOY	PROTECTIVE FINISH ANODISED	UNLESS OTHERWISE STATED	ANGULAR DIMS ± 0.5°	LINEAR DIMS 0 = ± 0.5 0.0 = ± 0.25 0.00 = ± 0.05	BROWNELL Ltd. LONDON NW10 7XF	RED DOT=ORIGINAL BLACK DOT=COPY	DRAWN LDW	CHECKED RB
EST. WT. -----		SURFACE ROUGHNESS	3.2 µm (N8)	TITLE		DRAWING NUMBER		
		DIMENSIONS IN in/mm	mm	DESICCANT CONTAINER DEHUMIDIFIER (PANEL MOUNTED) R.F. SCREENED		BL/D5060/01-08 INST		
		SCALE (ORIGINAL)	NTS					