

DRG No
BL/D4332 INST

THIRD ANGLE PROJECTION

REMOVE ALL SHARP EDGES UNLESS SPECIFIED

DD NDT SCALE - ASK



NOTES:

1. SPECIFICATIONS:
 - 1.1 THIS HUMIDITY INDICATOR PLUG MEETS THE REQUIREMENTS OF SAE AS26860, TYPE II, AS APPLICABLE.

- 1.2 RELATIVE HUMIDITY OF AIR IS INDICATED BY 20, 30, 40, AND 50 PERCENT SEGMENTS ON INDICATOR CARD. BLUE SEGMENT INDICATES RH IS LESS THAN NUMBER ON CARD. PINK OR WHITE SEGMENT INDICATES RH IS EQUAL TO OR GREATER THAN NUMBER SHOWN ON CARD. COLOR CHANGE IS REVERSIBLE UNDER NORMAL CONDITIONS.

2. MATERIALS AND FINISH:

- 2.1 HOUSING, HEX NUT, AND LOCKSCREW: ALUMINUM ALLOYS.

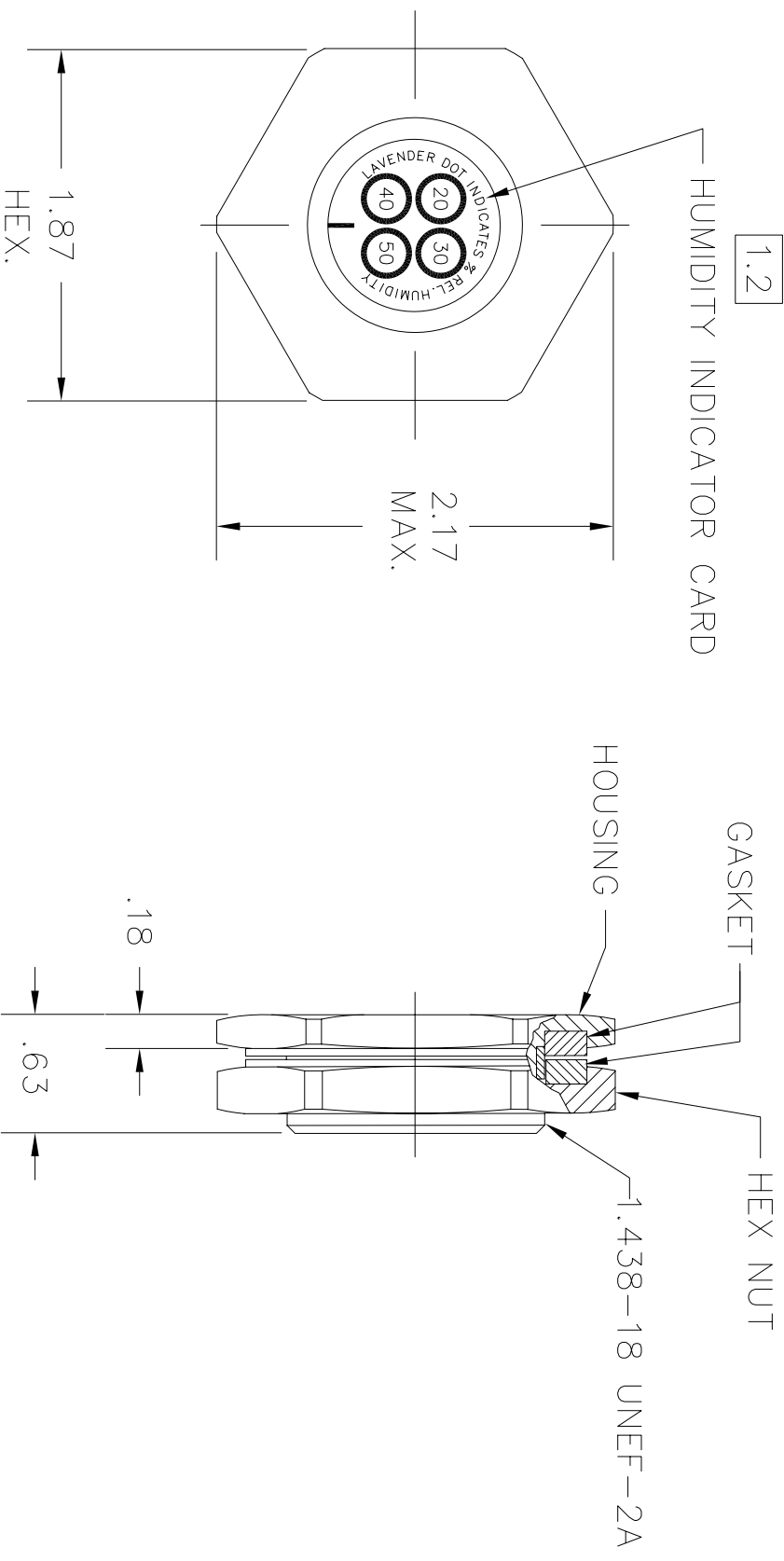
- 2.2 HUMIDITY INDICATOR CARD: CHEMICALLY IMPREGNATED BLOTTER PAPER IAW MIL-I-8835.

- 2.3 GASKETS: IAW MIL-R-6855, CLASS II, GRADE 60.

- 2.4 WINDOW: PLEXIGLAS IAW MIL-P-5425.

3. FINISH:

- 3.1 ALUMINUM ALLOYS ANODIZED IAW MIL-A-8625, TYPE II, CLASS 1.



MATERIAL	PROTECTIVE FINISH	TOLERANCES	TITLE	
SEE NOTES	SEE NOTES	DIMENSIONS IN in/mm	BROWNELL Ltd. LONDON NW10 7XF	
EST. WT.		SURFACE ROUGHNESS	HUMIDITY INDICATOR	
		SCALE (ORIGINAL)	DRAWING NUMBER	
		1:1	BL/D4332 INST	

REDRAWN	6140	C	08-02-05
CHANGE	MDD No	ISSUE	DATE



DRAWN PK
CHECKED